



Gray-Daniels Ford Lincoln
201 Octavia Drive, Brandon, Mississippi, 390422437
Office: 601-825-2801
Fax: 601-591-2649

Customer Proposal

Prepared for:

Brett Jensen
Midwest Fire Equipment & Repair
901 Commerce Road
Luverne, MN 56156
Office: 507-283-9141
Email: brett@midwestfire.com

Prepared by:

James Cantrell
Office: 601-573-8538
Email: jcantrell@graydaniels.com

Date: 02/14/2019

Vehicle: 2019 F-550 Chassis XL
4x4 SD Regular Cab 145" WB DRW





Selected Equipment & Specs

Dimensions

Exterior length: 230.7" * Cab to axle: 60.0" * Exterior width: 80.0" * Exterior height: 81.5" * Wheelbase: 145.0" * Front track: 74.8" * Rear track: 74.0" * Turning radius: 21.2' * Rear tire outside width: 93.9" * Min ground clearance: 8.2" * Front legroom: 43.9" * Front headroom: 40.8" * Front hiproom: 62.5" * Front shoulder room: 66.7" * Passenger volume: 64.6cu.ft. * Cargo volume: 11.6cu.ft. * Maximum cargo volume: 11.6cu.ft.

Powertrain

288hp 6.8L SOHC 30 valve V-10 engine with SMPI * Recommended fuel : regular unleaded * federal * TorqShift 6 speed automatic transmission with overdrive * Part-time * Limited slip differential * Fuel Economy Cty: N/A * Fuel Economy Highway: N/A

Suspension/Handling

Front Mono-beam non-independent suspension with anti-roll bar, HD shocks * Rear DANA 130 rigid axle leaf spring suspension with anti-roll bar, HD shocks * Firm ride Suspension * Hydraulic power-assist re-circulating ball Steering * Front and rear 19.5 x 6 argent steel wheels * Front LT225/70SR19.5 GBSW AS rear LT225/70SR19.5 G BSW AT * Dual rear wheels

Body Exterior

2 doors * Driver and passenger , manual folding door mirrors * Black door mirrors * Black bumpers * Side steps * Trailer harness * Clearcoat paint * Front and rear 19.5 x 6 wheels * 2 front tow hook(s)

Convenience

Manual air conditioning with air filter * Cruise control with steering wheel controls * Manual front windows * Manual door locks * Manual tilt steering wheel * Manual telescopic steering wheel * Day-night rearview mirror * 1 1st row LCD monitor * Front cupholders * Passenger visor mirror * Upfitter switches

Seats and Trim

Seating capacity of 3 * Front 40-20-40 split-bench seat * 4-way driver seat adjustment * Manual driver lumbar support * 4-way passenger seat adjustment * Centre front armrest with storage

Entertainment Features

AM/FM stereo radio * 4 speakers * Fixed antenna

Lighting, Visibility and Instrumentation

Halogen aero-composite headlights * Delay-off headlights * Fully automatic headlights * Variable intermittent front windshield wipers * Light tinted windows * Front reading lights * Tachometer * Oil pressure gauge * Outside temperature display * Trip computer * Trip odometer

Safety and Security

4-wheel ABS brakes * Brake assist * 4-wheel disc brakes * Driveline traction control * Dual front impact airbag supplemental restraint system with passenger cancel * Dual seat mounted side impact airbag supplemental restraint system * Safety Canopy System curtain 1st row overhead airbag supplemental restraint system * Manual door locks * Manually adjustable front head restraints

Dimensions

General Weights

Curb	6,969 lbs.	GVWR	19,000 lbs.
Payload	12,000 lbs.		

Front Weights

Front GAWR	7,500 lbs.	Front curb weight	4,088 lbs.
Front axle capacity	7,500 lbs.	Front spring rating	7,500 lbs.

Prices and content availability as shown are subject to change and should be treated as estimates only. Actual base vehicle, package and option pricing may vary from this estimate because of special local pricing, availability or pricing adjustments not reflected in the dealer's computer system. See salesperson for the most current information. | Prices and content availability as shown are subject to change and should be treated as estimates only. Actual base vehicle, package and option pricing may vary from this estimate because of special local pricing, availability or pricing adjustments not reflected in the dealer's computer system. See salesperson for the most current information.



Selected Equipment & Specs (cont'd)

Front tire/wheel capacity	7,500 lbs.		
Rear Weights			
Rear GAWR	13,660 lbs.	Rear curb weight	2,881 lbs.
Rear axle capacity	14,706 lbs.	Rear spring rating	15,000 lbs.
Rear tire/wheel capacity	15,000 lbs.		
Trailer Type			
Harness	Yes	Trailer sway control	Yes
General Trailering			
5th-wheel towing capacity	20300 lbs.	Gooseneck towing capacity	20300 lbs.
Towing capacity	18500 lbs.	GCWR	28000 lbs.
Fuel Tank type			
Capacity	26.5 gal.		
Off Road			
Min ground clearance	8 "		
Interior cargo			
Cargo volume	11.6 cu.ft.	Maximum cargo volume	11.6 cu.ft.
Rear Frame			
Height loaded	29 "	Height unloaded	35 "
Powertrain			
Engine Type			
Block material	Iron	Cylinders	V-10
Head material	Aluminum	Ignition	Spark
Injection	Sequential MPI	Liters	6.8L
Orientation	Longitudinal	Recommended fuel	Regular unleaded
Valves per cylinder	3	Valvetrain	SOHC
Engine Spec			
Bore	3.55"	Compression ratio	9.2:1
Displacement	415 cu.in.	Stroke	4.16"
Engine Power			
Output	288 HP @ 4,000 RPM	Torque	424 ft.-lb @ 3,000 RPM
Alternator			
Type	HD	Amps	240
Battery			
Amp hours	78	Cold cranking amps	750
Run down protection	Yes	Type	HD
Engine Extras			
Block heater	Yes		
Transmission			
Electronic control	Yes	Lock-up	Yes
Overdrive	Yes	Speed	6
Type	Automatic		

Prices and content availability as shown are subject to change and should be treated as estimates only. Actual base vehicle, package and option pricing may vary from this estimate because of special local pricing, availability or pricing adjustments not reflected in the dealer's computer system. See salesperson for the most current information. | Prices and content availability as shown are subject to change and should be treated as estimates only. Actual base vehicle, package and option pricing may vary from this estimate because of special local pricing, availability or pricing adjustments not reflected in the dealer's computer system. See salesperson for the most current information.



Selected Equipment & Specs (cont'd)

Transmission Gear Ratios

1st	3.974	2nd	2.318
3rd	1.516	4th	1.149
5th	0.858	6th	0.674
Reverse Gear ratios	3.128		

Transmission Torque Converter

Stall ratio	1.90
-------------------	------

Transmission Extras

Driver selectable mode	Yes	Sequential shift control	SelectShift
Oil cooler	Regular duty		

Drive Type

4wd type	Part-time	Type	Four-wheel
----------------	-----------	------------	------------

Drive Feature

Limited slip differential	Mechanical	Traction control	Driveline
Locking hub control	Manual	Transfer case shift	Manual

Drive Axle

Ratio	4.88
-------------	------

Exhaust

Material	Stainless steel	System type	Single
----------------	-----------------	-------------------	--------

Emissions

CARB	Federal
------------	---------

fuel Economy

Fuel type	Gasoline
-----------------	----------

Driveability

Brakes

ABS	4-wheel	ABS channels	3
Type	4-wheel disc	Vented discs	Front and rear

Brake Assistance

Brake assist	Yes
--------------------	-----

Suspension Control

Ride	Firm
------------	------

Front Suspension

Independence	Mono-beam non-independent	Anti-roll bar	Regular
--------------------	---------------------------	---------------------	---------

Front Spring

Type	Coil	Grade	HD
------------	------	-------------	----

Front Shocks

Type	HD
------------	----

Rear Suspension

Independence	DANA 130 rigid axle	Type	Leaf
Anti-roll bar	Regular		

Prices and content availability as shown are subject to change and should be treated as estimates only. Actual base vehicle, package and option pricing may vary from this estimate because of special local pricing, availability or pricing adjustments not reflected in the dealer's computer system. See salesperson for the most current information. | Prices and content availability as shown are subject to change and should be treated as estimates only. Actual base vehicle, package and option pricing may vary from this estimate because of special local pricing, availability or pricing adjustments not reflected in the dealer's computer system. See salesperson for the most current information.



Selected Equipment & Specs (cont'd)

Rear Spring

Type Leaf Grade HD

Rear Shocks

Type HD

Steering

Activation Hydraulic power-assist Type Re-circulating ball

Steering Specs

of wheels 2

Exterior

Front Wheels

Diameter 19.5" Width 6.00"

Rear Wheels

Diameter 19.5" Width 6.00"
 Dual Yes

Front and Rear Wheels

Appearance Argent Material Steel

Front Tires

Aspect 70 Diameter 19.5"
 Sidewalls BSW Speed S
 Tread AS Type LT
 Width 225mm LT load rating G
 RPM 647

Rear Tires

Aspect 70 Diameter 19.5"
 Sidewalls BSW Speed S
 Tread AT Type LT
 Width 225mm LT load rating G
 RPM 645

Wheels

Front track 74.8" Rear track 74.0"
 Turning radius 21.2' Wheelbase 145.0"
 Rear tire outside width 93.9"

Body Features

Front license plate bracket Yes Front splash guards Yes
 Body material Aluminum Side impact beams Yes
 Side steps Yes Front tow hook(s) 2

Body Doors

Door count 2

Exterior Dimensions

Length 230.7" Body width 80.0"
 Body height 81.5" Cab to axle 60.0"
 Axle to end of frame 47.2" Frame section modulus 17.2cu.in.

Prices and content availability as shown are subject to change and should be treated as estimates only. Actual base vehicle, package and option pricing may vary from this estimate because of special local pricing, availability or pricing adjustments not reflected in the dealer's computer system. See salesperson for the most current information. | Prices and content availability as shown are subject to change and should be treated as estimates only. Actual base vehicle, package and option pricing may vary from this estimate because of special local pricing, availability or pricing adjustments not reflected in the dealer's computer system. See salesperson for the most current information.



Selected Equipment & Specs (cont'd)

Frame yield strength (psi)	50000.0	Frame rail width	34.2"
Front bumper to Front axle	38.3"	Cab to end of frame	107.2"
Front bumper to back of cab	123.7"		

Safety

Airbags

Driver front-impact	Yes	Driver side-impact	Seat mounted
Overhead Safety Canopy System curtain 1st row		Passenger front-impact	Cancellable
Passenger side-impact	Seat mounted		

Seatbelt

Height adjustable	Front
-------------------------	-------

Seating

Passenger Capacity

Capacity	3
----------------	---

Front Seats

Split	40-20-40	Type	Split-bench
-------------	----------	------------	-------------

Driver Seat

Fore/aft	Manual	Reclining	Manual
Way direction control	4	Lumbar support	Manual

Passenger seat

Fore/aft	Manual	Reclining	Manual
Way direction control	4		

Front Head Restraint

Control	Manual	Type	Adjustable
---------------	--------	------------	------------

Front Armrest

Centre	Yes	Storage	Yes
--------------	-----	---------------	-----

Front Seat Trim

Material	Vinyl	Back material	Vinyl
----------------	-------	---------------------	-------

Convenience

AC And Heat Type

Air conditioning	Manual	Air filter	Yes
------------------------	--------	------------------	-----

Audio System

Radio	AM/FM stereo	Radio grade	Regular
Seek-scan	Yes		

Audio Speakers

Speaker type	Regular	Speakers	4
--------------------	---------	----------------	---

Audio Antenna

Type	Fixed
------------	-------

LCD Monitors

1st row	1	Primary monitor size (inches)	2.3
---------------	---	-------------------------------------	-----

Prices and content availability as shown are subject to change and should be treated as estimates only. Actual base vehicle, package and option pricing may vary from this estimate because of special local pricing, availability or pricing adjustments not reflected in the dealer's computer system. See salesperson for the most current information. | Prices and content availability as shown are subject to change and should be treated as estimates only. Actual base vehicle, package and option pricing may vary from this estimate because of special local pricing, availability or pricing adjustments not reflected in the dealer's computer system. See salesperson for the most current information.



Selected Equipment & Specs (cont'd)

Cruise Control

Cruise control With steering wheel controls

Convenience Features

12V DC power outlet 2
 Upfitter switches Yes

Door Lock Activation

Type Manual

Instrumentation Type

Display Analog

Instrumentation Gauges

Tachometer Yes	Oil pressure Yes
Engine temperature Yes	Transmission fluid temp Yes
Engine hour meter Yes	

Instrumentation Warnings

Oil pressure Yes	Engine temperature Yes
Battery Yes	Lights on Yes
Key Yes	Low fuel Yes
Door ajar Yes	Service interval Yes
Brake fluid Yes	

Instrumentation Displays

Clock In-radio display	Exterior temp Yes
Systems monitor Yes	

Instrumentation Feature

Trip computer Yes	Trip odometer Yes
-------------------------	-------------------------

Steering Wheel Type

Material Urethane	Tilting Manual
Telescoping Manual	

Front Side Windows

Window 1st row activation Manual

Window Features

Tinted Light

Front Windshield

Wiper Variable intermittent

Rear Windshield

Window Fixed

Interior

Passenger Visor

Mirror Yes

Rear View Mirror

Day-night Yes

Headliner

Prices and content availability as shown are subject to change and should be treated as estimates only. Actual base vehicle, package and option pricing may vary from this estimate because of special local pricing, availability or pricing adjustments not reflected in the dealer's computer system. See salesperson for the most current information. | Prices and content availability as shown are subject to change and should be treated as estimates only. Actual base vehicle, package and option pricing may vary from this estimate because of special local pricing, availability or pricing adjustments not reflected in the dealer's computer system. See salesperson for the most current information.



Selected Equipment & Specs (cont'd)

Coverage	Full	Material	Cloth
<i>Floor Trim</i>			
Coverage	Full	Covering	Vinyl/rubber
<i>Trim Feature</i>			
Gear shift knob	Urethane	Interior accents	Chrome
<i>Lighting</i>			
Dome light type	Fade	Front reading	Yes
Variable IP lighting	Yes		
<i>Storage</i>			
Front Beverage holder(s)	Yes	Glove box	Locking
Illuminated	Yes	Instrument panel	Bin
Dashboard	Covered		
<i>Legroom</i>			
Front	43.9"		
<i>Headroom</i>			
Front	40.8"		
<i>Hip Room</i>			
Front	62.5"		
<i>Shoulder Room</i>			
Front	66.7"		
<i>Interior Volume</i>			
Passenger volume	64.6 cu.ft.		

Prices and content availability as shown are subject to change and should be treated as estimates only. Actual base vehicle, package and option pricing may vary from this estimate because of special local pricing, availability or pricing adjustments not reflected in the dealer's computer system. See salesperson for the most current information. | Prices and content availability as shown are subject to change and should be treated as estimates only. Actual base vehicle, package and option pricing may vary from this estimate because of special local pricing, availability or pricing adjustments not reflected in the dealer's computer system. See salesperson for the most current information.



Selected Options

Description

Base Vehicle Price (F5H)

Order Code 660A

Includes:

- Engine: 6.8L 3-Valve SOHC EFI NA V10
- Transmission: TorqShift 6-Speed Automatic (6R140)
Includes SelectShift.
- Wheels: 19.5" Argent Painted Steel
Includes manual locking hubs.
- HD Vinyl 40/20/40 Split Bench Seat
Includes center armrest, cupholder, storage and driver's side manual lumbar.
- Radio: AM/FM Stereo
Includes 4 speakers.

Engine: 6.8L 3-Valve SOHC EFI NA V10

Transmission: TorqShift 6-Speed Automatic (6R140)

Includes SelectShift.

Limited Slip w/4.88 Axle Ratio

GVWR: 19,000 lbs Payload Upgrade Package

Includes upgraded frame and upgraded rear-axle. Note: See Order Guide Supplemental Reference for further details on GVWR and payload ranges.

Tires: 225/70Rx19.5G BSW Traction (TGM)

Includes 4 traction tires on the rear and 2 A/P tires on the front. Optional spare is 225/70Rx19.5G BSW A/P.

Wheels: 19.5" Argent Painted Steel

Includes manual locking hubs.

HD Vinyl 40/20/40 Split Bench Seat

Includes center armrest, cupholder, storage and driver's side manual lumbar.

Monotone Paint Application

145" Wheelbase

Extra Heavy-Duty Front End Suspension - 7,500 GAWR

Includes upgraded front axle and max 7,500 lbs. Front Springs/GAWR rating for configuration selected. Incomplete vehicle package - requires further manufacture and certification by a final stage manufacturer.

Engine Block Heater

26.5 Gallon Mid Ship Fuel Tank

Platform Running Boards

Center High-Mounted Stop Lamp (CHMSL)

Radio: AM/FM Stereo

Includes 4 speakers.

Steering Wheel-Mounted Cruise Control (LPO)

Requires valid FIN code.

Fleet Advertising Credit

50-State Emissions System

Medium Earth Gray

Race Red

Prices and content availability as shown are subject to change and should be treated as estimates only. Actual base vehicle, package and option pricing may vary from this estimate because of special local pricing, availability or pricing adjustments not reflected in the dealer's computer system. See salesperson for the most current information. | Prices and content availability as shown are subject to change and should be treated as estimates only. Actual base vehicle, package and option pricing may vary from this estimate because of special local pricing, availability or pricing adjustments not reflected in the dealer's computer system. See salesperson for the most current information.



Warranty - Selected Equipment & Specs

Warranty

Basic

Distance 36,000 miles Months 36 months

Powertrain

Distance 60,000 miles Months 60 months

Corrosion Perforation

Distance Unlimited miles Months 60 months

Roadside Assistance

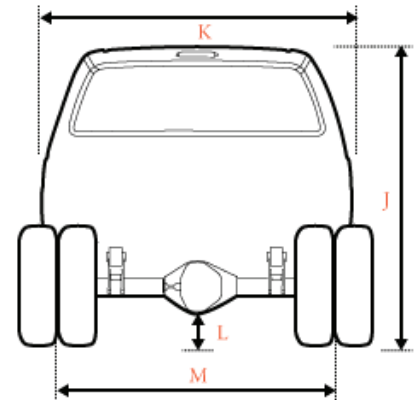
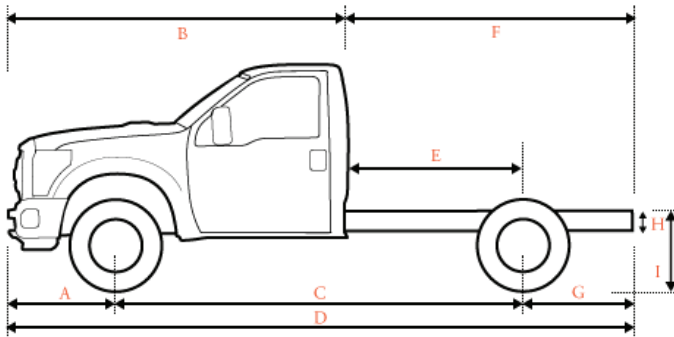
Distance 60,000 miles Months 60 months

Prices and content availability as shown are subject to change and should be treated as estimates only. Actual base vehicle, package and option pricing may vary from this estimate because of special local pricing, availability or pricing adjustments not reflected in the dealer's computer system. See salesperson for the most current information. | Prices and content availability as shown are subject to change and should be treated as estimates only. Actual base vehicle, package and option pricing may vary from this estimate because of special local pricing, availability or pricing adjustments not reflected in the dealer's computer system. See salesperson for the most current information.



Performance

Performance predictions in this report represent an estimate of vehicle performance based on standard operating conditions. Variations in customer equipment, load configuration, ambient conditions, and/or operator driving techniques can cause significant variations in vehicle performance. These values are not representative of results that may be shown in actual dynamometer tests. This report should therefore be used as a guide for comparative vehicle performance.



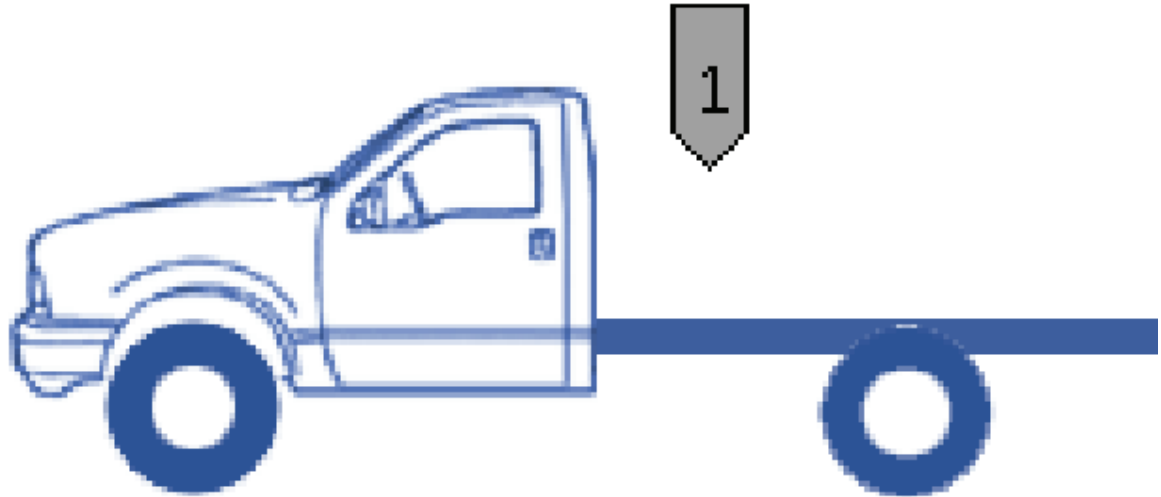
Dimensions

A	Front of Bumper to Front Axle	38.30 in.
B	Front Bumper to Back of Cab (BBC)	123.70 in.
C	Wheelbase (WB)	145.00 in.
D	Overall Length (OAL)	230.70 in.
E	Back of Cab to Rear Axle (CA)	60.00 in.
F	Back of Cab to End of Frame	107.20 in.
G	Rear Axle to End of Frame (AF)	47.20 in.
H	Frame Section Height	N/A
I	Rear Frame Height Unloaded	35.10 in.
I	Rear Frame Height Loaded	28.60 in.
J	Cab Height	81.50 in.
K	Body Width	80.00 in.
L	Maximum Ground Clearance	N/A
L	Minimum Ground Clearance	8.20 in.
M	Front Tread	74.80 in.
M	Rear Tread	74.00 in.

Prices and content availability as shown are subject to change and should be treated as estimates only. Actual base vehicle, package and option pricing may vary from this estimate because of special local pricing, availability or pricing adjustments not reflected in the dealer's computer system. See salesperson for the most current information. | Prices and content availability as shown are subject to change and should be treated as estimates only. Actual base vehicle, package and option pricing may vary from this estimate because of special local pricing, availability or pricing adjustments not reflected in the dealer's computer system. See salesperson for the most current information.



Performance (cont'd)



Weight

GVW	Front Axle	Rear Axle	Totals
Chassis	4,088 lbs	2,881 lbs	6,969 lbs
Body	0 lbs	0 lbs	0 lbs
Occupants Weight	300 lbs	150 lbs	450 lbs
Fuel	-56 lbs	-28 lbs	-84 lbs
1 Max Payload - (Max Payload)	3,168 lbs	8,497 lbs	11,665 lbs
TOTAL	7,500 lbs	11,500 lbs	19,000 lbs

Ratings	Front Axle	Rear Axle	GVWR
GAWR	7,500 lbs	13,660 lbs	19,000 lbs
Wheels/Tires	7,500 lbs	15,000 lbs	
Suspension	7,500 lbs	15,000 lbs	
Axle	7,500 lbs	14,706 lbs	
Legal Axle Limit	0 lbs	0 lbs	

Prices and content availability as shown are subject to change and should be treated as estimates only. Actual base vehicle, package and option pricing may vary from this estimate because of special local pricing, availability or pricing adjustments not reflected in the dealer's computer system. See salesperson for the most current information. | Prices and content availability as shown are subject to change and should be treated as estimates only. Actual base vehicle, package and option pricing may vary from this estimate because of special local pricing, availability or pricing adjustments not reflected in the dealer's computer system. See salesperson for the most current information.



Performance (cont'd)

Start, Grade and Speed

Start	Ratio	Desired	Calculated
Start grade capability in 1st gear	3.97	15.00 %	24.78 %
Start grade capability in reverse	3.13	15.00 %	19.51 %
Grade	Ratio	Desired	Calculated
Maximum grade in 4th gear	1.15	3.00 %	7.54 %
Maximum grade in 5th gear	0.86	3.00 %	5.63 %
Maximum grade in 6th gear	0.67	3.00 %	4.42 %
Speed		Desired	Calculated
Top Speed (level grade)		75 mph	85 mph
<i>To meet your requirement you need a maximum axle ratio of 8.83</i>			
Top Speed on 3.0% grade		55 mph	
<i>To meet your requirement you need a maximum of 120 hp</i>			
Cruise Speed		60 mph	74 mph
Engine RPM at desired cruise speed			2,121 rpm

Variables in Use

Rear axle ratio:	4.88/4.88	Peak Torque RPM:	3,000 rpm
Tire size:	225/70R19.5 (645 rev/mile)	Frontal Area:	40.28 Sq.Ft.
Gross Vehicle Weight (GVW):	19,000 lbs	Cruising RPM	2,600 rpm
Clutch engagement torque:	212 ft.lbs.	Worst road surface	Typical Highway
Torque conversion ratio:	1.90	Final Drive Ratio:	0.67
Peak engine torque:	424 ft.lbs.	Drag Coefficient	0.80
Engine Power:	288 hp @ 4,000 rpm		

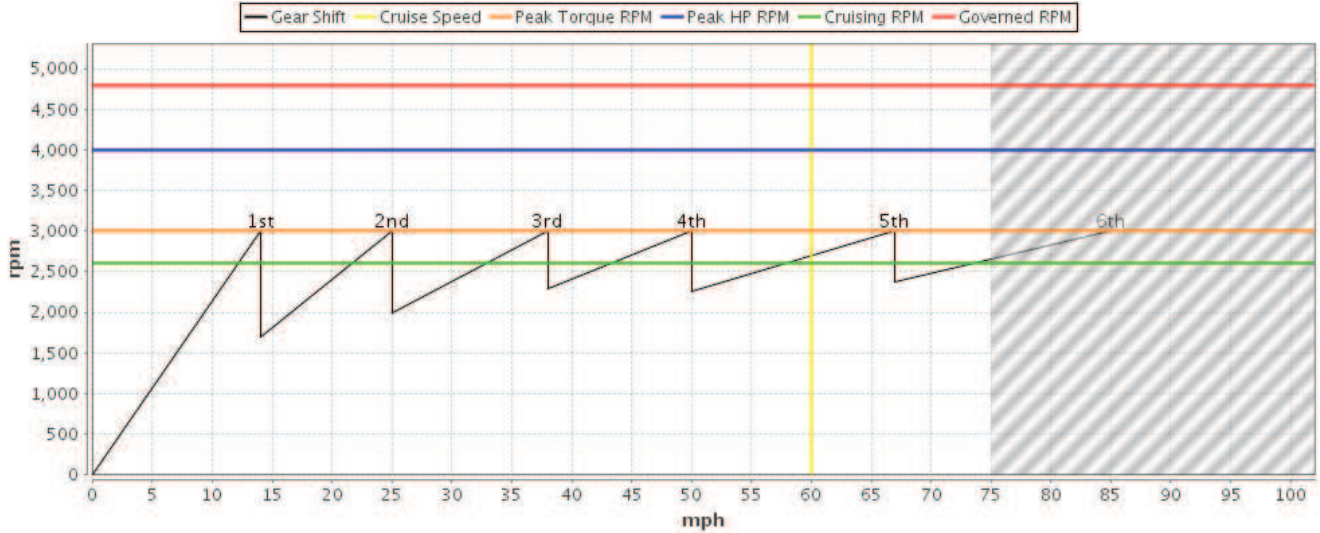
Prices and content availability as shown are subject to change and should be treated as estimates only. Actual base vehicle, package and option pricing may vary from this estimate because of special local pricing, availability or pricing adjustments not reflected in the dealer's computer system. See salesperson for the most current information. | Prices and content availability as shown are subject to change and should be treated as estimates only. Actual base vehicle, package and option pricing may vary from this estimate because of special local pricing, availability or pricing adjustments not reflected in the dealer's computer system. See salesperson for the most current information.



Performance (cont'd)

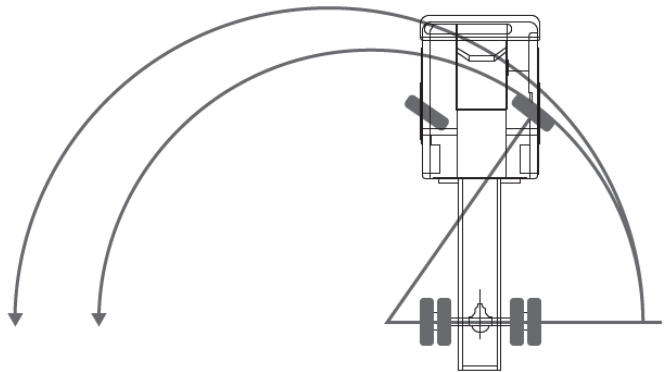
Shift Chart

Shift Chart displays mathematical geared speed.
 Diesel engines use Governed RPM for shift points.
 Gas engines use Peak Torque RPM for shift points.



Turning Radius

Turning Radius 21.25 ft



Prices and content availability as shown are subject to change and should be treated as estimates only. Actual base vehicle, package and option pricing may vary from this estimate because of special local pricing, availability or pricing adjustments not reflected in the dealer's computer system. See salesperson for the most current information.