



ALL-POLY® TYPE 3

Midwest Fire Equipment & Repair Company manufactures high-quality fire apparatus to serve your community for decades. Operating with a neighborly style and Midwestern values, our skilled team of professionals work to design the most versatile, high-value fire apparatus to aid firefighters in the protection of life and property.



Standard Features:

- All-Poly® Body & Tank with Lifetime Warranty
- 500 to 750 Gallon Poly Tank with Optional Foam Cell
- "Sweep Out" Style Compartments w/Adjustable Shelves
- Internal Suction Hose Storage
- Side Control Pump, 750 to 1500 GPM
- All-Poly® Swing Doors
- LED Lighted Footsteps and Compartments
- Full Length Hose Bed and Pre-Connected Cross Lay
- NFPA Compliant Warning Lights and Striping
- Multiplex Wiring System
- Stainless Steel Plumbing

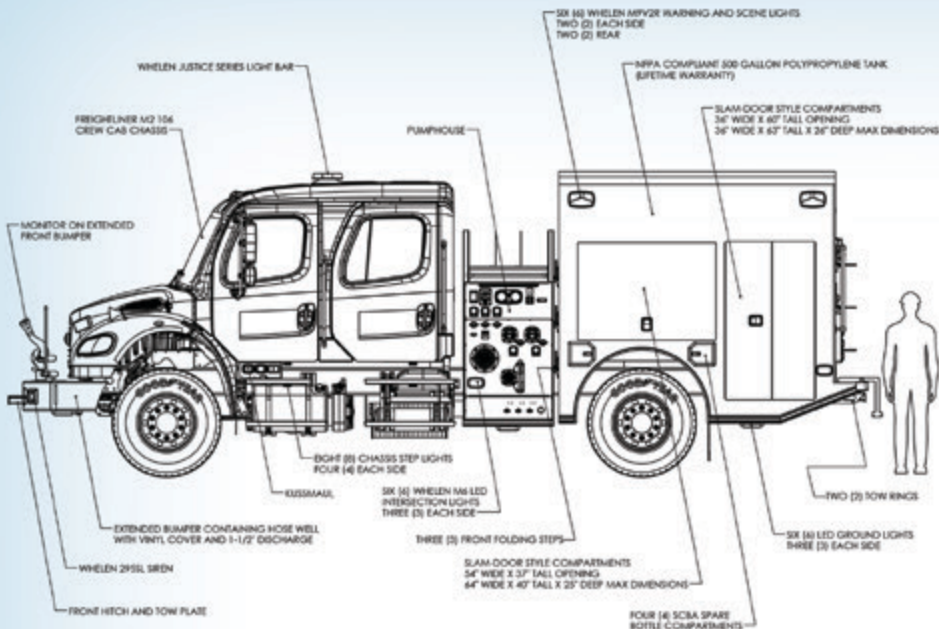
Options:

- Ladder Storage
- Foam System
- I-Zone Interface Brackets
- Additional Hose Reel
- Permanent or Portable Winch
- Front and Rear Ground Sweeps
- Remote Monitor
- Chassis Step Storage
- Multiple Discharge Options
- Roll-Up Doors
- Multiple Lighting Package

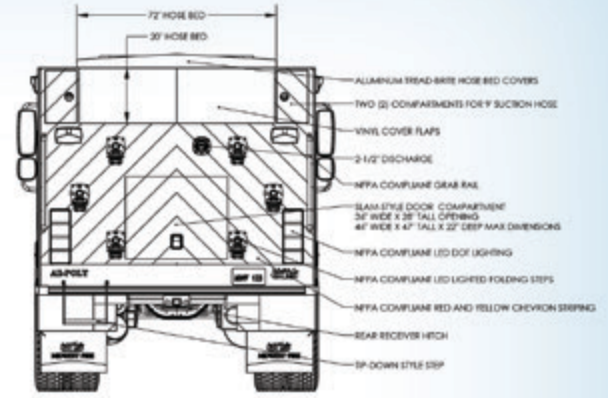


info@MidwestFire.com • 901 Commerce Road P.O. Box 524 • Luverne, MN 56156
MidwestFire.com • 1.800.344.2059

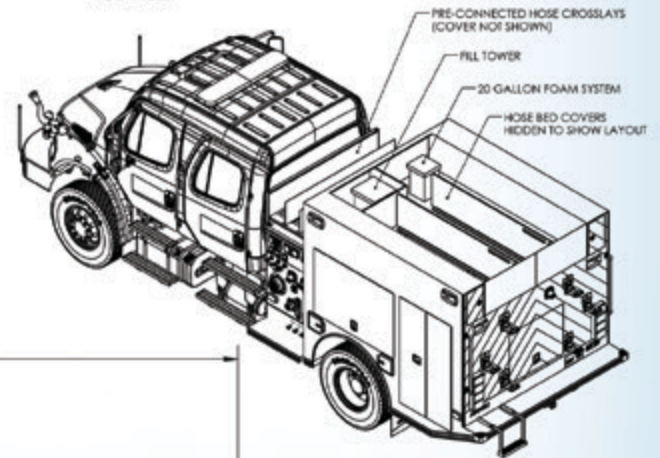
DRIVER SIDE (STREET SIDE) VIEW



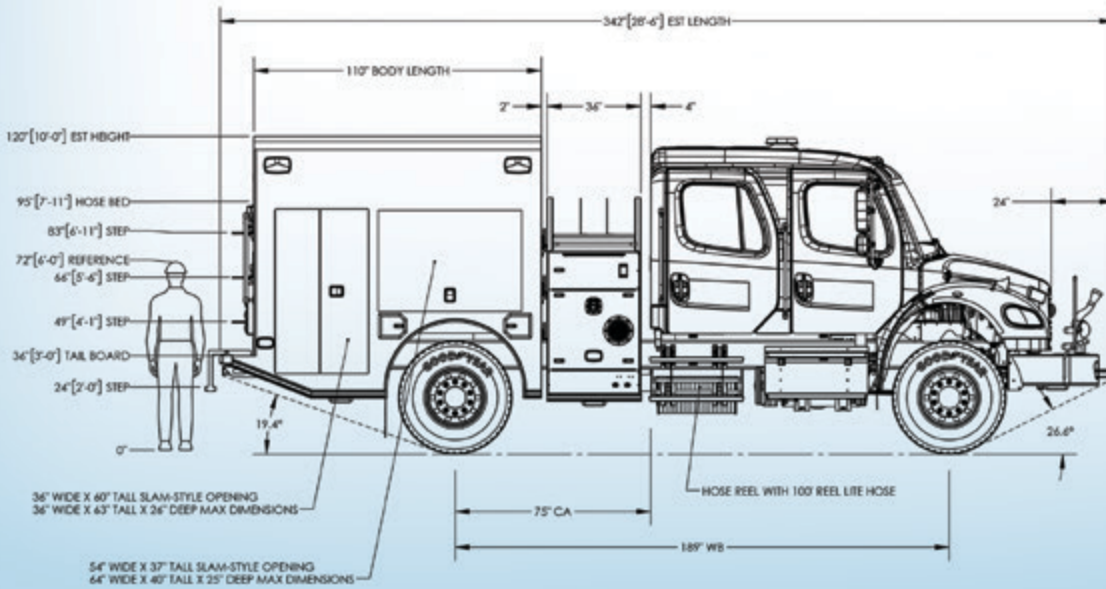
REAR VIEW



TOP VIEW



PASSENGER SIDE (CURB SIDE) VIEW



ALL·POLY® TYPE 3

