

MIDWEST



ALL-POLY® QUICK ATTACK

Midwest Fire Equipment & Repair Company manufactures high-quality fire apparatus to serve your community for decades. Operating with a neighborly style and Midwestern values, our skilled team of professionals work to design the most versatile, high-value fire apparatus to aid firefighters in the protection of life and property.



Standard Features:

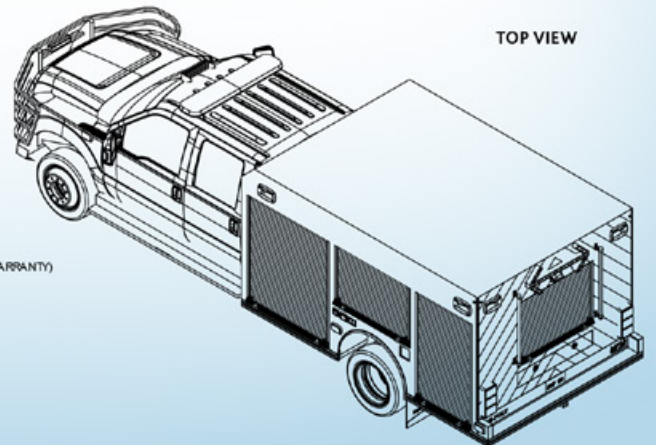
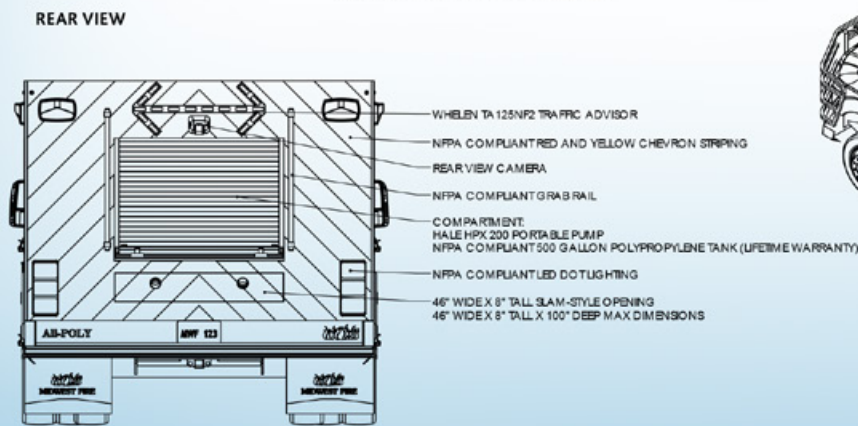
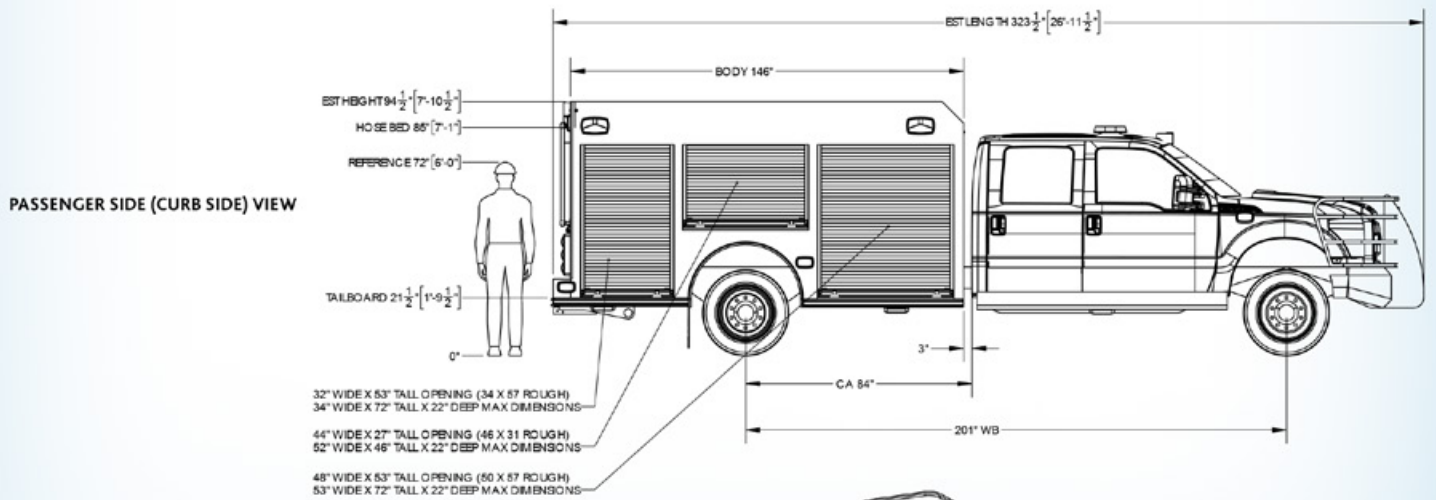
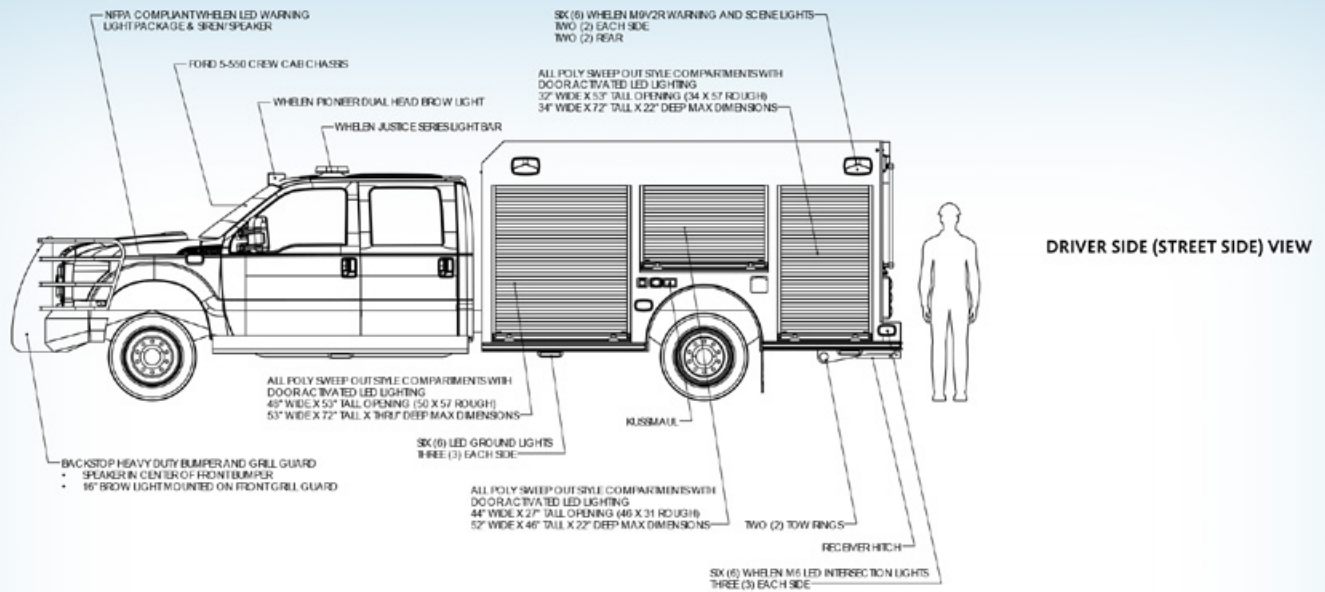
- All-Poly® Body/Tank with Lifetime Warranty
- All-Poly® "Sweep Out" Style Compartments with LED Lighting
- 100-400 GPM Engine-Driven Pump Options
- NFPA Compliant Warning Lights and Striping
- Emergency Siren & Speaker
- 200-300 Gallon Poly Tank
- Hose Reel Options
- 2" Rear Receiver Tube

Options:

- Foam Systems Available
- Multiple Booster Reel Mounting Options
- Pre-Connected Hose Tray Options
- Poly Storage Trays
- Rescue Equipment Storage
- Front & Rear Winch Applications
- Remote Monitor
- Heavy-Duty Grille Guard
- Shelving & Slide-Out Tray Options
- Front & Rear Spray Bars
- Telescoping Lights
- Ford, Dodge, Chevy & International Chassis
- Multiple Customized Options Available



info@MidwestFire.com • 901 Commerce Road P.O. Box 524 • Luverne, MN 56156
MidwestFire.com • 1.800.344.2059



ALL·POLY® QUICK ATTACK

