



# ALL•POLY SERIES PUMPER

Midwest Fire Equipment & Repair Company manufactures high-quality fire apparatus to serve your community for decades. Operating with a neighborly style and Midwestern values, our skilled team of professionals work to design the most versatile, high value fire apparatus to aid firefighters in the protection of life and property.



## Standard Features:

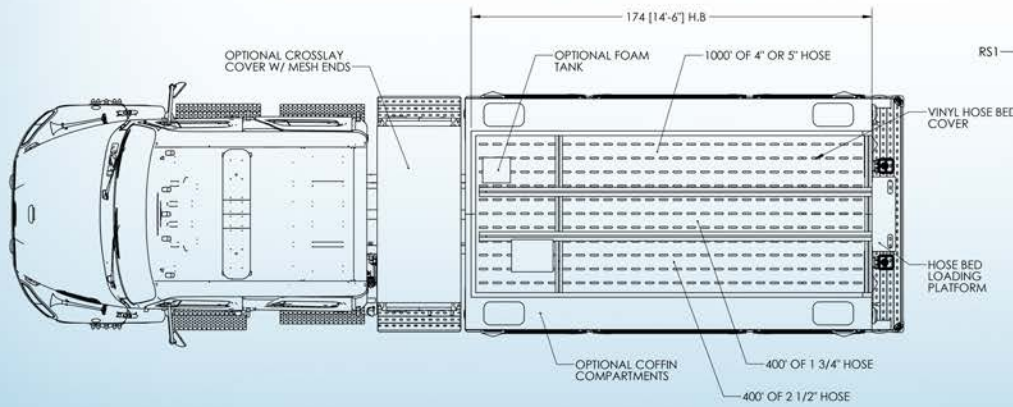
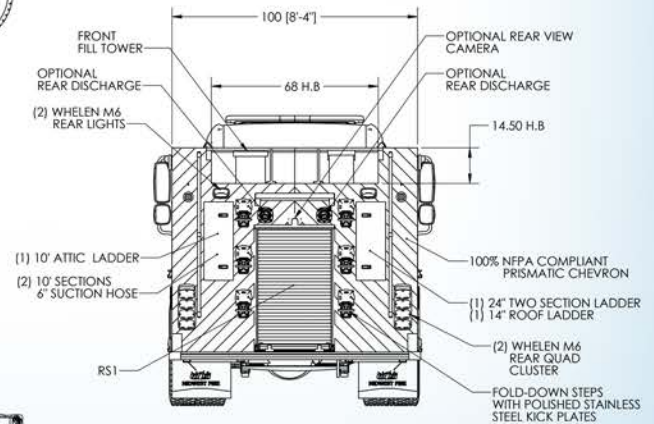
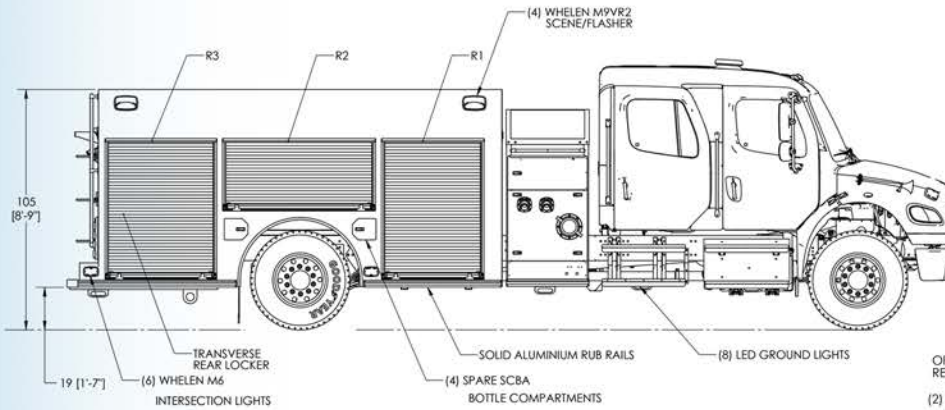
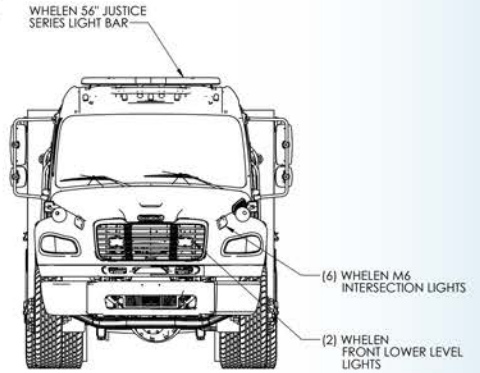
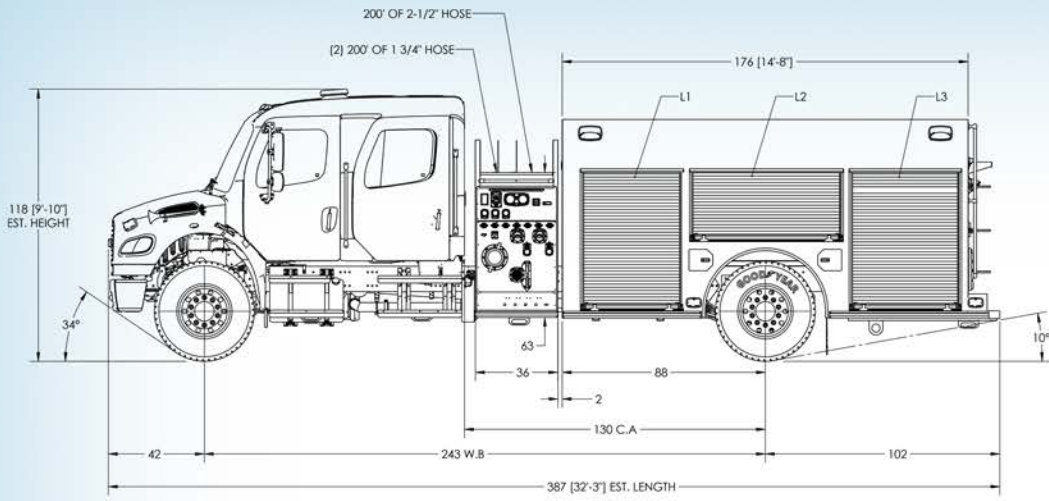
- All Poly Body/Tank with Lifetime Warranty
- All Poly "Sweep Out" Style Compartments
- Aluminum Roll-Up Doors
- 750-2000 GPM Pump
- Full Length Hose-Bed
- Pre-Connected Cross-Lays
- NFPA Warning Lights and Striping
- LED lighted Footsteps and Compartments
- Through Tank Ladder/Suction/Pike Pole
- Class 1 ES-Key Electrical System
- SCBA Spare Bottle Compartments

## Options:

- Multiple Compartment Configurations
- Multiple Shelving Options
- Multiple Lighting Accessories
- Foam System
- Deck Gun, Remote Monitor, Hose Reels
- On Board Generator
- Automatic Tire Chains
- Pump and Roll Capabilities
- Front Bumper Extensions
- Multiple Chassis Applications
- Multiple Customized Options Available



info@MidwestFire.com • 901 Commerce Road • P.O. Box 524 • Luverne, MN 56156  
MidwestFire.com • 1.800.344.2059



# ALL•POLY SERIES PUMPER



info@MidwestFire.com • 901 Commerce Road • P.O. Box 524 • Luverne, MN 56156  
 MidwestFire.com • 1.800.344.2059