



ALL·POLY® TYPE 3

Midwest Fire Equipment & Repair Company manufactures high-quality fire apparatus to serve your community for decades. Operating with a neighborly style and Midwestern values, our skilled team of professionals work to design the most versatile, high value fire apparatus to aid firefighters in the protection of life and property.



Standard Features:

- All-Poly® Body & Tank with Lifetime Warranty
- 500 to 750 Gallon Poly Tank with Optional Foam Cell
- "Sweep Out" Style Compartments w/ Adjustable Shelves
- Internal Suction Hose Storage
- Side Control PTO Pump, 500 to 1500 GPM
- All-Poly® Swing Doors
- LED Lighted Footsteps and Compartments
- Full Length Hose Bed and Pre-Connected Cross Lay
- NFPA Compliant Warning Lights and Striping
- Class 1 ES-Key Multiplexing System
- Stainless Steel Plumbing

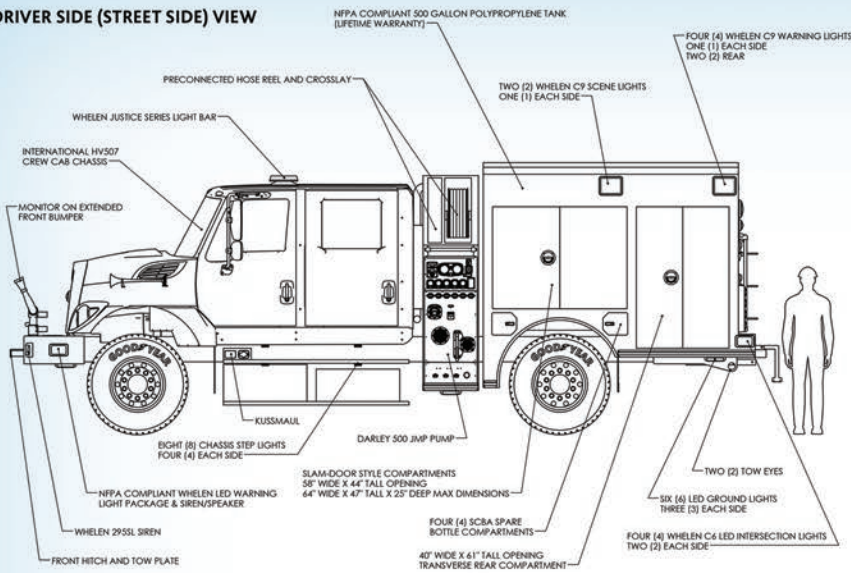
Options:

- Auxiliary Engine Driven Pump
- Ladder Storage
- Foam System
- I-Zone Interface Brackets
- Additional Hose Reel
- Permanent or Portable Winch
- Front and Rear Ground Sweeps
- Remote Monitor
- Chassis Step Storage
- Multiple Discharge Options
- Roll-Up Doors

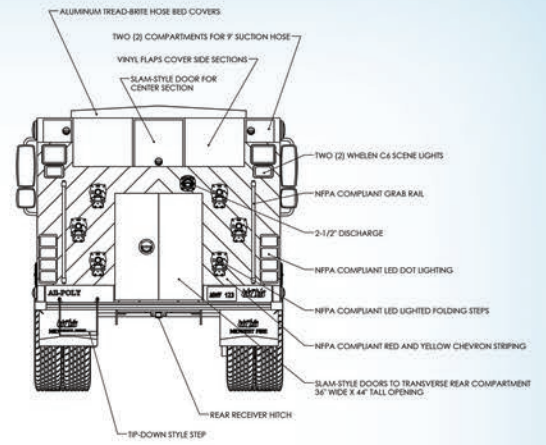


info@MidwestFire.com • 901 Commerce Road • P.O. Box 524 • Luverne, MN 56156
MidwestFire.com • 1.800.344.2059

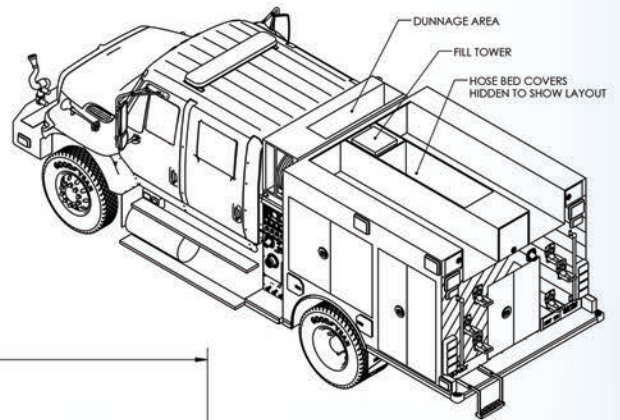
DRIVER SIDE (STREET SIDE) VIEW



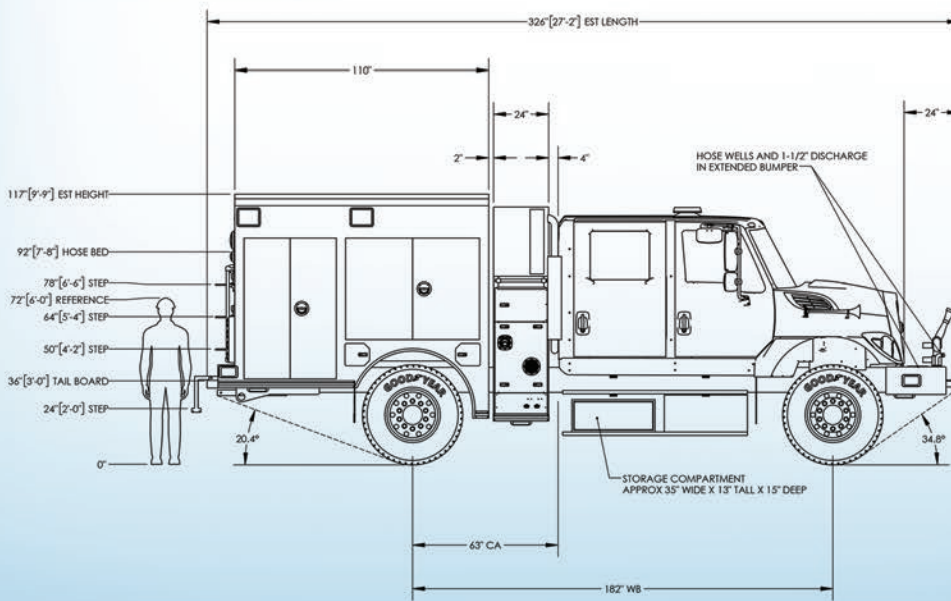
REAR VIEW



TOP VIEW



PASSENGER SIDE (CURB SIDE) VIEW



ALL•POLY® TYPE 3

