



ALL-POLY SERIES 2000

Midwest Fire Equipment & Repair Company manufactures high-quality fire apparatus to serve your community for decades. Operating with a neighborly style and Midwestern values, our skilled team of professionals work to design the most versatile, high value fire apparatus to aid firefighters in the protection of life and property.



Standard Features:

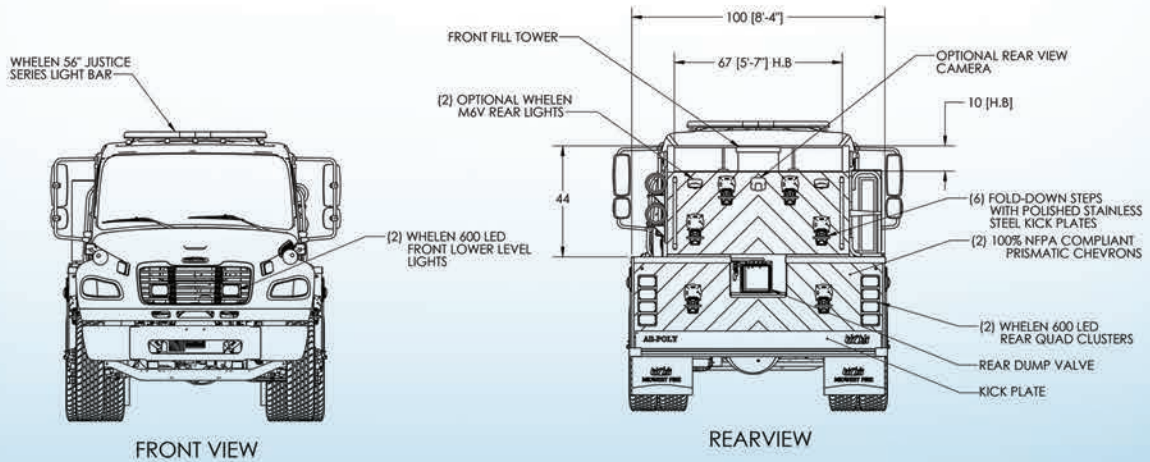
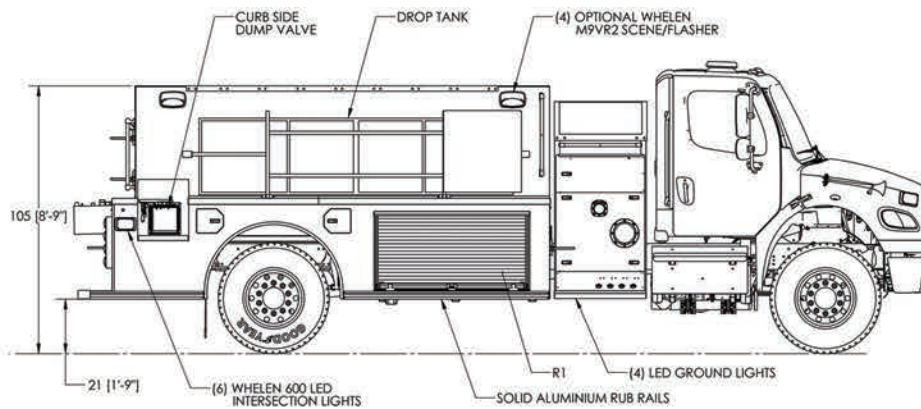
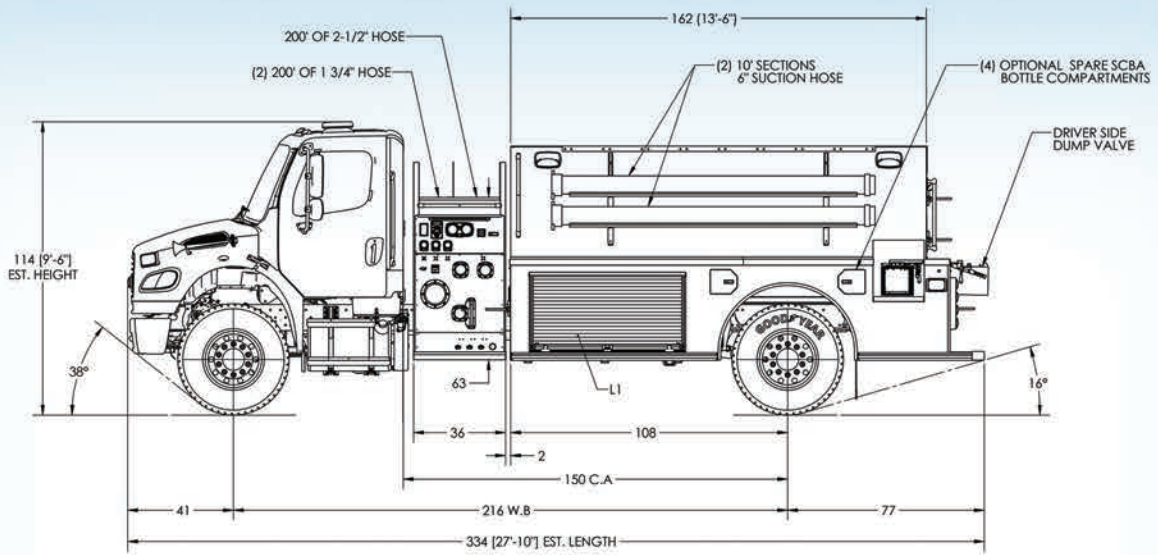
- All-Poly Body/Tank with Lifetime Warranty
- 2 1/2" - 5" Direct Tank Fill
- Stainless Steel Newton 10" Square Manual Dump Valves
- Portable Tank Carrier and Portable Tank
- All-Poly "Sweep Out" Style Compartments
- Anodized Aluminum Roll-Up Doors
- 500-1500 GPM PTO or Midship Pump
- Pump and Roll Capabilities
- 36" Pump House
- Full Width and Length Hose-Bed
- Pre-Connected Cross-Lays
- NFPA Warning, Lighting Systems, and Striping
- LED Lighted Footsteps and Compartments
- Class 1 ES-Key Electrical System

Options:

- Multiple Compartment Configurations
- Newton Electric Dump Valves
- Newton Swivel Dump Valve
- Zico Drop Tank Carrier
- Deck Gun and Remote Monitor
- Front, Rear, Side Discharge Options
- Freightliner, International, Kenworth and Peterbilt Chassis
- Lighting Accessories
- Front Bumper Extensions
- "Fold-Down" Rear Ladder
- More Customized Options Available



info@MidwestFire.com • 901 Commerce Road • P.O. Box 524 • Luverne, MN 56156
MidwestFire.com • 1.800.344.2059



ALL-POLY SERIES 2000

