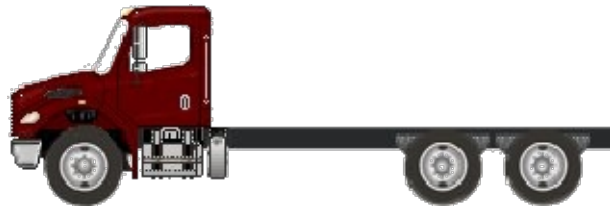


*A proposal for
Midwest Fire*

Freightliner M2 106



Components shown may not reflect all spec'd options and are not to scale

S P E C I F I C A T I O N P R O P O S A L

Description	Weight Front	Weight Rear
Price Level		
M2 PRL-14M (EFF:10/05/15)		
Data Version		
SPECPRO21 DATA RELEASE VER 007		
Interior Convenience/Driver Retention Package		
INTERIOR CONVENIENCE PACKAGE		
Vehicle Configuration		
M2 106 CONVENTIONAL CHASSIS	5,759	3,503
2018 MODEL YEAR SPECIFIED		
SET BACK AXLE - TRUCK		
STRAIGHT TRUCK PROVISION		
LH PRIMARY STEERING LOCATION		
General Service		
TRUCK CONFIGURATION		
DOMICILED, USA (EXCLUDING CALIFORNIA AND CARB OPT-IN STATES)		
FIRE SERVICE		
EMERGENCY VEHICLES BUSINESS SEGMENT		
LIQUID BULK COMMODITY		
TERRAIN/DUTY: 100% (ALL) OF THE TIME, IN TRANSIT, IS SPENT ON PAVED ROADS		
MAXIMUM 8% EXPECTED GRADE		
SMOOTH CONCRETE OR ASPHALT PAVEMENT - MOST SEVERE IN-TRANSIT (BETWEEN SITES) ROAD SURFACE		
MEDIUM TRUCK WARRANTY		
EXPECTED FRONT AXLE(S) LOAD : 14600.0 lbs		
EXPECTED REAR DRIVE AXLE(S) LOAD : 44000.0 lbs		
EXPECTED TAG AXLE(S) LOAD : 0.0 lbs		
EXPECTED GROSS VEHICLE WEIGHT CAPACITY : 58600.0 lbs		



Description	Weight Front	Weight Rear
Truck Service		
FIRE TANK - NO MAIN DRIVELINE DRIVEN SPLIT-SHAFT PTO/PUMP EXPECTED BODY/PAYLOAD CG HEIGHT ABOVE FRAME "XX" INCHES : 32.0 in		
Engine		
CUM L9 350EV HP @ 2000 RPM, 2200 GOV RPM , 1000 LB/FT @ 1400 RPM	640	30
Electronic Parameters		
60 MPH ROAD SPEED LIMIT CRUISE CONTROL SPEED LIMIT SAME AS ROAD SPEED LIMIT PTO MODE ENGINE RPM LIMIT - 1100 RPM PTO RPM WITH CRUISE SET SWITCH - 700 RPM PTO RPM WITH CRUISE RESUME SWITCH - 800 RPM PTO MODE CANCEL VEHICLE SPEED - 5 MPH PTO GOVERNOR RAMP RATE - 250 RPM PER SECOND PTO MINIMUM RPM - 700 REGEN INHIBIT SPEED THRESHOLD - 5 MPH		
Engine Equipment		
2016 ONBOARD DIAGNOSTICS/2010 EPA/CARB/FINAL GHG17 CONFIGURATION NO 2008 CARB EMISSION CERTIFICATION STANDARD OIL PAN ENGINE MOUNTED OIL CHECK AND FILL ONE PIECE VALVE COVER SIDE OF HOOD AIR INTAKE WITH NFPA COMPLIANT EMBER SCREEN AND FIRE RETARDANT DONALDSON AIR CLEANER DR 12V 275 AMP 40-SI BRUSHLESS PAD ALTERNATOR WITH REMOTE BATTERY VOLTAGE SENSE (2) ALLIANCE MODEL 1231, GROUP 31, 12 VOLT MAINTENANCE FREE 2250 CCA THREADED STUD BATTERIES BATTERY BOX FRAME MOUNTED STANDARD BATTERY JUMPERS SINGLE BATTERY BOX FRAME MOUNTED LH SIDE UNDER CAB	10	



Description	Weight Front	Weight Rear
WIRE GROUND RETURN FOR BATTERY CABLES WITH ADDITIONAL FRAME GROUND RETURN		
NON-POLISHED BATTERY BOX COVER		
POSITIVE LOAD DISCONNECT WITH CAB MOUNTED CONTROL SWITCH MOUNTED OUTBOARD DRIVER SEAT	8	
CUMMINS TURBOCHARGED 18.7 CFM AIR COMPRESSOR WITH INTERNAL SAFETY VALVE		
STANDARD MECHANICAL AIR COMPRESSOR GOVERNOR		
AIR COMPRESSOR DISCHARGE LINE		
GVG, FIRE AND EMERGENCY SERVICE VEHICLES ENGINE WARNING		
CUMMINS EXHAUST BRAKE INTEGRAL WITH VARIABLE GEOMETRY TURBO WITH ON/OFF DASH SWITCH	20	
RH OUTBOARD UNDER STEP MOUNTED HORIZONTAL AFTERTREATMENT SYSTEM ASSEMBLY WITH RH HORIZONTAL TAILPIPE EXITING FORWARD OF REAR TIRES	10	5
ENGINE AFTERTREATMENT DEVICE, AUTOMATIC OVER THE ROAD ACTIVE REGENERATION AND DASH MOUNTED SINGLE REGENERATION REQUEST/INHIBIT SWITCH		
STANDARD EXHAUST SYSTEM LENGTH		
RH HORIZONTAL TAILPIPE, EXIT FORWARD OF REAR TIRES AT 90 DEGREES	20	20
6 GALLON DIESEL EXHAUST FLUID TANK		
100 PERCENT DIESEL EXHAUST FLUID FILL		
LH MEDIUM DUTY STANDARD DIESEL EXHAUST FLUID TANK LOCATION		
INBOARD MOUNTED DIESEL EXHAUST FLUID PUMP WITH ABOVE RAIL ROUTING FOR 6 GALLON DIESEL EXHAUST FLUID TANK, CUMMINS ENGINES		
STANDARD DIESEL EXHAUST FLUID TANK CAP		
HORTON DRIVEMASTER ADVANTAGE ON/OFF FAN DRIVE		
AUTOMATIC FAN CONTROL WITH DASH SWITCH AND INDICATOR LIGHT, NON ENGINE MOUNTED		
CUMMINS SPIN ON FUEL FILTER		
COMBINATION FULL FLOW/BYPASS OIL FILTER		
1100 SQUARE INCH ALUMINUM RADIATOR	20	



Description	Weight Front	Weight Rear
ANTIFREEZE TO -34F, ETHYLENE GLYCOL PRE-CHARGED SCA HEAVY DUTY COOLANT		
GATES BLUE STRIPE COOLANT HOSES OR EQUIVALENT		
CONSTANT TENSION HOSE CLAMPS FOR COOLANT HOSES		
AUXILIARY ENGINE COOLING USING WATER FROM FIRE PUMP	10	
LOWER RADIATOR GUARD		
ALUMINUM FLYWHEEL HOUSING		
ELECTRIC GRID AIR INTAKE WARMER		
DELCO 12V 38MT HD STARTER WITH INTEGRATED MAGNETIC SWITCH		

Transmission

ALLISON 3000 EVS AUTOMATIC TRANSMISSION WITH PTO PROVISION	200	60
--	-----	----

Transmission Equipment

ALLISON VOCATIONAL PACKAGE 197 - AVAILABLE ON 3000/4000 PRODUCT FAMILIES WITH VOCATIONAL MODEL EVS

ALLISON VOCATIONAL RATING FOR FIRE TRUCK/EMERGENCY VEHICLE APPLICATIONS AVAILABLE WITH ALL PRODUCT FAMILIES

PRIMARY MODE GEARS, LOWEST GEAR 1, START GEAR 1, HIGHEST GEAR 5, AVAILABLE FOR 3000/4000 PRODUCT FAMILIES ONLY

SECONDARY MODE GEARS, LOWEST GEAR 1, START GEAR 1, HIGHEST GEAR 5, AVAILABLE FOR 3000/4000 PRODUCT FAMILIES ONLY

PRIMARY SHIFT SCHEDULE RECOMMENDED BY DTNA AND ALLISON, THIS DEFINED BY ENGINE AND VOCATIONAL USAGE

SECONDARY SHIFT SCHEDULE RECOMMENDED BY DTNA AND ALLISON, THIS DEFINED BY ENGINE AND VOCATIONAL USAGE

PRIMARY SHIFT SPEED RECOMMENDED BY DTNA AND ALLISON, THIS DEFINED BY ENGINE AND VOCATIONAL USAGE

SECONDARY SHIFT SPEED RECOMMENDED BY DTNA AND ALLISON, THIS DEFINED BY ENGINE AND VOCATIONAL USAGE

LOAD BASED SHIFT SCHEDULE AND VEHICLE ACCELERATION CONTROL RECOMMENDED BY DTNA AND ALLISON, THIS DEFINED VOCATIONAL USAGE

Description	Weight Front	Weight Rear
NEUTRAL AT STOP - DISABLED, FUELSENSE - DISABLED		
DRIVER SWITCH INPUT - DEFAULT - NO SWITCHES		
VEHICLE INTERFACE WIRING CONNECTOR WITHOUT BLUNT CUTS, AT END OF FRAME		
ELECTRONIC TRANSMISSION CUSTOMER ACCESS CONNECTOR MOUNTED BACK OF CAB		
(2) CUSTOMER INSTALLED MUNCIE CS10 SERIES PTO'S		
PTO MOUNTING, LH AND RH SIDES OF MAIN TRANSMISSION		
MAGNETIC PLUGS, ENGINE DRAIN, TRANSMISSION DRAIN, AXLE(S) FILL AND DRAIN		
PUSH BUTTON ELECTRONIC SHIFT CONTROL DASH MOUNTED IN RG PANEL WITH NO SWITCHES OR GAUGES MOUNTED ABOVE SHIFTER		
TRANSMISSION PROGNOSTICS - ENABLED 2013		
WATER TO OIL TRANSMISSION COOLER, IN RADIATOR END TANK		
TRANSMISSION OIL CHECK AND FILL WITH ELECTRONIC OIL LEVEL CHECK		
SYNTHETIC TRANSMISSION FLUID (TES-295 COMPLIANT)		

Front Axle and Equipment

DETROIT DA-F-14.7-3 14,700# FF1 71.5 KPI/3.74 DROP SINGLE FRONT AXLE	40
MERITOR 16.5X5 Q+ CAST SPIDER CAM FRONT BRAKES, DOUBLE ANCHOR, FABRICATED SHOES	
FIRE AND EMERGENCY SEVERE SERVICE, NON-ASBESTOS FRONT LINING	
CONMET CAST IRON FRONT BRAKE DRUMS	
SKF SCOTSEAL PLUS XL FRONT OIL SEALS	
VENTED FRONT HUB CAPS WITH WINDOW, CENTER AND SIDE PLUGS - OIL	
STANDARD SPINDLE NUTS FOR ALL AXLES	
MERITOR AUTOMATIC FRONT SLACK ADJUSTERS	
TRW TAS-85 POWER STEERING	
POWER STEERING PUMP	
2 QUART SEE THROUGH POWER STEERING RESERVOIR	



Description	Weight Front	Weight Rear
ORGANIC SAE 80/90 FRONT AXLE LUBE		
Front Suspension		
14,600# TAPERLEAF FRONT SUSPENSION	170	
MAINTENANCE FREE RUBBER BUSHINGS - FRONT SUSPENSION		
NO FRONT SUSPENSION SPRING BRACKET OPTIONS		
FRONT SHOCK ABSORBERS		
Rear Axle and Equipment		
MT-44-14X 44,000# R-SERIES TANDEM REAR AXLE		2,580
5.29 REAR AXLE RATIO		
IRON REAR AXLE CARRIER WITH STANDARD AXLE HOUSING		
MXL 17T MERITOR EXTENDED LUBE MAIN DRIVELINE WITH HALF ROUND YOKES	20	20
MXL 17T MERITOR EXTENDED LUBE INTERAXLE DRIVELINE WITH HALF ROUND YOKES		
(1) INTERAXLE LOCK VALVE FOR TANDEM OR TRIDEM DRIVE AXLES		
BLINKING LAMP WITH EACH INTERAXLE LOCK SWITCH, INTERAXLE UNLOCK DEFAULT WITH IGNITION OFF		
MERITOR 16.5X7 Q+ CAST SPIDER HEAVY DUTY CAM REAR BRAKES, DOUBLE ANCHOR, FABRICATED SHOES		
FIRE AND EMERGENCY SEVERE SERVICE NON-ASBESTOS REAR BRAKE LINING		
BRAKE CAMS AND CHAMBERS ON FORWARD SIDE OF DRIVE AXLE(S)		
CONMET CAST IRON REAR BRAKE DRUMS		
SKF SCOTSEAL PLUS XL REAR OIL SEALS		
HALDEX GOLDSEAL LONGSTROKE 2-DRIVE AXLES SPRING PARKING CHAMBERS		20
HALDEX AUTOMATIC REAR SLACK ADJUSTERS		
ORGANIC SAE 80/90 REAR AXLE LUBE		
Rear Suspension		
TUFTRAC 46,000# REAR SPRING SUSPENSION		480
TUFTRAC STANDARD RIDE HEIGHT		
AXLE CLAMPING GROUP		
56 INCH AXLE SPACING		
FORE/AFT AND TRANSVERSE CONTROL RODS		



Description	Weight Front	Weight Rear
REAR SHOCK ABSORBERS - TWO AXLES (TANDEM)		40

Brake System

AIR BRAKE PACKAGE
WABCO 4S/4M ABS WITH TRACTION CONTROL
REINFORCED NYLON, FABRIC BRAID AND WIRE BRAID CHASSIS AIR LINES
FIBER BRAID PARKING BRAKE HOSE
STANDARD BRAKE SYSTEM VALVES
STANDARD AIR SYSTEM PRESSURE PROTECTION AND 85 PSI PRESSURE PROTECTION FOR AIR HORN(S)
STD U.S. FRONT BRAKE VALVE
RELAY VALVE WITH 5-8 PSI CRACK PRESSURE, NO REAR PROPORTIONING VALVE
WABCO SS-1200 PLUS AIR DRYER WITH INTEGRAL AIR GOVERNOR AND HEATER
AIR DRYER MOUNTED UNDER HOOD
STEEL AIR BRAKE RESERVOIRS, NO TRIPLE OR TORPEDO TANKS
CLEAR FRAME RAILS FROM BACK OF CAB TO FRONT REAR SUSPENSION BRACKET, BOTH RAILS OUTBOARD
BW DV-2 AUTO DRAIN VALVE WITHOUT HEATER ON ALL TANK(S)

Trailer Connections

UPGRADED CHASSIS MULTIPLEXING UNIT
UPGRADED BULKHEAD MULTIPLEXING UNIT
NO HIGH CURRENT TRAILER/BODY CABLE

Wheelbase & Frame

5750MM (226 INCH) WHEELBASE
7/16X3-9/16X11-1/8 INCH STEEL FRAME (11.11MMX282.6MM/0.437X11.13 INCH) 120KSI 370 290
2675MM (105 INCH) REAR FRAME OVERHANG
FRAME OVERHANG RANGE: 101 INCH TO 110 INCH -70 310
CALC'D BACK OF CAB TO REAR SUSP C/L (CA) : 160.45 in
CALCULATED EFFECTIVE BACK OF CAB TO REAR SUSPENSION C/L (CA) : 157.45 in
CALC'D FRAME LENGTH - OVERALL : 360.39

Description	Weight Front	Weight Rear
CALC'D SPACE AVAILABLE FOR DECKPLATE : 160.45 in		
CALCULATED FRAME SPACE LH SIDE : 122.71 in		
CALCULATED FRAME SPACE RH SIDE : 125.61 in		
SQUARE END OF FRAME		
FRONT CLOSING CROSSMEMBER		
LIGHTWEIGHT HEAVY DUTY ALUMINUM ENGINE CROSSMEMBER	-12	
STD MIDSHIP #1 XMBR (S), NO XMBERS FROM BOC TO 36" BOC		
STANDARD REAR MOST CROSSMEMBER		
HEAVY DUTY SUSPENSION CROSSMEMBER		30

Chassis Equipment

THREE-PIECE 14 INCH CHROME STEEL BUMPER WITH COLLAPSIBLE ENDS AND LH WING CUTOUT FOR FEDERAL MS100/ES100/ES100C SPEAKER	30	
FRONT TOW HOOKS - FRAME MOUNTED	15	
BUMPER MOUNTING FOR SINGLE LICENSE PLATE		
FENDER AND FRONT OF HOOD MOUNTED FRONT MUDFLAPS		
GRADE 8 THREADED HEX HEADED FRAME FASTENERS		
D15-28195-000 CENTER PUNCH TO MARK CENTERLINE OF REAR SUSPENSION ON TOP FLANGE OF FRAME		
CUSTOMER REQUESTED .DXF "DRIVELINE AND CROSSMEMBER ONLY" LAYOUT		
TANK BODY 1501 TO 3000 GALLONS		

Fuel Tanks

50 GALLON/189 LITER SHORT RECTANGULAR ALUMINUM FUEL TANK - LH	20	
RECTANGULAR FUEL TANK(S)		
POLISHING OF FUEL/HYDRAULIC TANK(S) WITH PAINTED BANDS		
FUEL TANK(S) FORWARD		
POLISHED STAINLESS STEEL STEP FINISH		
FUEL TANK CAP(S)		
DETROIT FUEL/WATER SEPARATOR WITH WATER IN FUEL SENSOR	-5	

Description	Weight Front	Weight Rear
EQUIFLO INBOARD FUEL SYSTEM HIGH TEMPERATURE REINFORCED NYLON FUEL LINE		
Tires		
MICHELIN X WORKS Z 12R22.5 16 PLY RADIAL FRONT TIRES	76	
MICHELIN XDE M/S 11R22.5 14 PLY RADIAL REAR TIRES		56
Hubs		
CONMET PRESET PLUS IRON FRONT HUBS CONMET PRESET PLUS IRON REAR HUBS		
Wheels		
ALCOA LVL ONE 88367X 22.5X8.25 10-HUB PILOT 5.79 INSET ALUMINUM DISC FRONT WHEELS	-50	
ALCOA LVL ONE 88367X ALUMINUM OUTSIDE, ACCURIDE 29637 STEEL INSIDE; 22.5X8.25 10- HUB PILOT DISC REAR WHEELS POLISHED FRONT WHEELS; OUTSIDE ONLY POLISHED REAR WHEELS; OUTSIDE OF OUTER WHEELS ONLY FRONT WHEEL MOUNTING NUTS REAR WHEEL MOUNTING NUTS		-56
Cab Exterior		
106 INCH BBC FLAT ROOF ALUMINUM CONVENTIONAL CAB AIR CAB MOUNTS LH AND RH EXTERIOR GRAB HANDLES WITH SINGLE RUBBER INSERT HOOD MOUNTED CHROMED PLASTIC GRILLE CHROME HOOD MOUNTED AIR INTAKE GRILLE FIBERGLASS HOOD DUAL 25 INCH ROUND STUTTER TONE HOOD MOUNTED AIR HORNS DUAL ELECTRIC HORNS DUAL HORN SHIELDS DOOR LOCKS AND IGNITION SWITCH KEYED THE SAME REAR LICENSE PLATE MOUNT END OF FRAME INTEGRAL HEADLIGHT/MARKER ASSEMBLY WITH CHROME BEZEL		8



Description	Weight Front	Weight Rear
LED AERODYNAMIC MARKER LIGHTS		
HEADLIGHTS ON WITH WIPERS, WITH DAYTIME RUNNING LIGHTS		
OMIT STOP/TAIL/BACKUP LIGHTS AND PROVIDE WIRING WITH SEPARATE STOP/TAIL WIRES TO 7 FEET BEYOND END OF FRAME		-5
STANDARD FRONT TURN SIGNAL LAMPS		
DUAL WEST COAST BRIGHT FINISH HEATED MIRRORS WITH LH AND RH REMOTE		
DOOR MOUNTED MIRRORS		
102 INCH EQUIPMENT WIDTH		
LH AND RH 8 INCH BRIGHT FINISH CONVEX MIRRORS MOUNTED UNDER PRIMARY MIRRORS		
STANDARD SIDE/REAR REFLECTORS		
RH AFTERTREATMENT SYSTEM CAB ACCESS WITH POLISHED DIAMOND PLATE COVER		
63X14 INCH TINTED REAR WINDOW		
TINTED DOOR GLASS LH AND RH WITH TINTED NON-OPERATING WING WINDOWS		
MANUAL DOOR WINDOW REGULATORS		
TINTED WINDSHIELD		
2 GALLON WINDSHIELD WASHER RESERVOIR WITHOUT FLUID LEVEL INDICATOR, FRAME MOUNTED		

Cab Interior

OPAL GRAY VINYL INTERIOR		
MOLDED PLASTIC DOOR PANEL WITHOUT VINYL INSERT WITH ALUMINUM KICKPLATE LOWER DOOR		
MOLDED PLASTIC DOOR PANEL WITHOUT VINYL INSERT WITH ALUMINUM KICKPLATE LOWER DOOR		
BLACK MATS WITH SINGLE INSULATION		
FORWARD ROOF MOUNTED CONSOLE WITH UPPER STORAGE COMPARTMENTS WITHOUT NETTING		
IN DASH STORAGE BIN		
CENTER STORAGE CONSOLE MOUNTED ON BACKWALL	20	
(2) CUP HOLDERS LH AND RH DASH		
GRAY/CHARCOAL FLAT DASH		
SMART SWITCH EXPANSION MODULE		

Description	Weight Front	Weight Rear
HEATER, DEFROSTER AND AIR CONDITIONER STANDARD HVAC DUCTING MAIN HVAC CONTROLS WITH RECIRCULATION SWITCH STANDARD HEATER PLUMBING WITH BALL SHUTOFF VALVES DENSO HEAVY DUTY AIR CONDITIONER COMPRESSOR BINARY CONTROL, R-134A PREMIUM INSULATION SOLID-STATE CIRCUIT PROTECTION AND FUSES 12V NEGATIVE GROUND ELECTRICAL SYSTEM DOME DOOR ACTIVATED LH AND RH, DUAL READING LIGHTS, FORWARD CAB ROOF CAB DOOR LATCHES WITH MANUAL DOOR LOCKS (1) 12 VOLT POWER SUPPLY IN DASH		
SEATS INC 911 UNIVERSAL SERIES HIGH BACK AIR SUSPENSION DRIVER SEAT WITH NFPA 1901-2009 COMPLIANT SEAT SENSOR	50	
SEATS INC 911 UNIVERSAL SERIES HIGH BACK NON SUSPENSION PASSENGER SEAT WITH UNDERSEAT STORAGE AND NFPA 1901-2009 COMPLIANT SEAT SENSOR	25	10
LH AND RH INTEGRAL DOOR PANEL ARMRESTS BLACK CORDURA PLUS CLOTH DRIVER SEAT COVER BLACK CORDURA PLUS CLOTH PASSENGER SEAT COVER NFPA 1901-2009 HIGH VISIBILITY ORANGE SEAT BELTS		
ADJUSTABLE TILT AND TELESCOPING STEERING COLUMN	10	
4-SPOKE 18 INCH (450MM) STEERING WHEEL DRIVER AND PASSENGER INTERIOR SUN VISORS		

Instruments & Controls

WOODGRAIN DRIVER INSTRUMENT PANEL
WOODGRAIN CENTER INSTRUMENT PANEL
BLACK GAUGE BEZELS
LOW AIR PRESSURE INDICATOR LIGHT AND
AUDIBLE ALARM

Description	Weight Front	Weight Rear
2 INCH PRIMARY AND SECONDARY AIR PRESSURE GAUGES		
ENGINE COMPARTMENT MOUNTED AIR RESTRICTION INDICATOR WITH GRADUATIONS, WITH WARNING LIGHT IN DASH		
97 DB BACKUP ALARM		3
ELECTRONIC CRUISE CONTROL WITH SWITCHES IN LH SWITCH PANEL		
IGNITION SWITCH WITH NON REMOVABLE KEY		
ICU3S, 132X48 DISPLAY WITH DIAGNOSTICS, 28 LED WARNING LAMPS AND DATA LINKED		
HEAVY DUTY ONBOARD DIAGNOSTICS INTERFACE CONNECTOR LOCATED BELOW LH DASH		
2 INCH ELECTRIC FUEL GAUGE		
PROGRAMMABLE RPM CONTROL - ELECTRONIC ENGINE		
ELECTRICAL ENGINE COOLANT TEMPERATURE GAUGE		
2 INCH TRANSMISSION OIL TEMPERATURE GAUGE		
ENGINE AND TRIP HOUR METERS INTEGRAL WITHIN DRIVER DISPLAY		
CUSTOMER FURNISHED AND INSTALLED PTO CONTROLS		
ENHANCED STABILITY CONTROL		
NO LANE DEPARTURE WARNING SYSTEM		
ELECTRIC ENGINE OIL PRESSURE GAUGE		
OVERHEAD INSTRUMENT PANEL		
AM/FM/WB WORLD TUNER RADIO WITH AUXILIARY INPUT, J1939	10	
DASH MOUNTED RADIO		
(2) RADIO SPEAKERS IN CAB		
AM/FM ANTENNA MOUNTED ON FORWARD LH ROOF	2	
ELECTRONIC MPH SPEEDOMETER WITH SECONDARY KPH SCALE, WITHOUT ODOMETER		
STANDARD VEHICLE SPEED SENSOR		
ELECTRONIC 3000 RPM TACHOMETER		
NO DIRECT CONNECT		
IDLE LIMITER, ELECTRONIC ENGINE		



Description	Weight Front	Weight Rear
(1) RH FOOT SWITCH WITH DASH SWITCH FOR HORN BUTTON TO CONTROL AIR HORN, DEFAULT TO ELECTRIC <85 PSI DIGITAL VOLTAGE DISPLAY INTEGRAL WITH DRIVER DISPLAY SINGLE ELECTRIC WINDSHIELD WIPER MOTOR WITH DELAY MARKER LIGHT SWITCH INTEGRAL WITH HEADLIGHT SWITCH ALTERNATING FLASHING LOW BEAM HEADLAMPS WITH DASH SWITCH, WITH PARK BRAKE RELEASED ONE VALVE PARKING BRAKE SYSTEM WITH DASH VALVE CONTROL AUTONEUTRAL AND WARNING INDICATOR SELF CANCELING TURN SIGNAL SWITCH WITH DIMMER, WASHER/WIPER AND HAZARD IN HANDLE INTEGRAL ELECTRONIC TURN SIGNAL FLASHER WITH HAZARD LAMPS OVERRIDING STOP LAMPS NO MISCELLANEOUS GAUGES		

Design

PAINT: ONE SOLID COLOR

Color

CAB COLOR A: L0762EB MED RED ELITE BC
 BLACK, HIGH SOLIDS POLYURETHANE CHASSIS PAINT
 NO FUEL TANK CABINET PAINT
 POWDER WHITE (N0006EA) REAR
 WHEELS/RIMS (PKWHT21, TKWHT21, W, TW)
 STANDARD E COAT/UNDERCOATING

Certification / Compliance

U.S. FMVSS CERTIFICATION, EXCEPT SALES CABS AND GLIDER KITS

TOTAL VEHICLE SUMMARY

Weight Summary

Weight	Weight	Total
--------	--------	-------

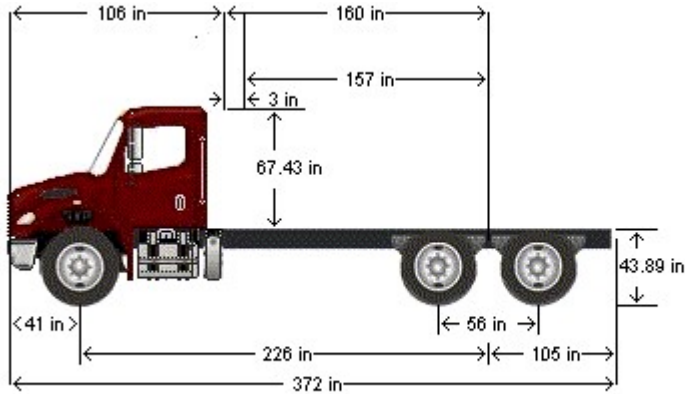


	Front	Rear	Weight
Factory Weight ⁺	7426 lbs	7396 lbs	14822 lbs
<hr/>			
Total Weight ⁺	7426 lbs	7396 lbs	14822 lbs

(+) Weights shown are estimates only.
If weight is critical, contact Customer Application Engineering.



D I M E N S I O N S



VEHICLE SPECIFICATIONS SUMMARY - DIMENSIONS

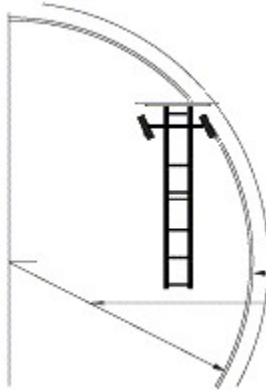
Model	M2106
Wheelbase (545)	5750MM (226 INCH) WHEELBASE
Rear Frame Overhang (552).....	2675MM (105 INCH) REAR FRAME OVERHANG
Fifth Wheel (578).....	NO FIFTH WHEEL
Mounting Location (577)	NO FIFTH WHEEL LOCATION
Maximum Forward Position (in).....	0
Maximum Rearward Position (in).....	0
Amount of Slide Travel (in).....	0
Slide Increment (in).....	0
Desired Slide Position (in).....	0.0
Cab Size (829).....	106 INCH BBC FLAT ROOF ALUMINUM CONVENTIONAL CAB
Sleeper (682).....	NO SLEEPER BOX/SLEEPERCAB
Exhaust System (016)	RH OUTBOARD UNDER STEP MOUNTED HORIZONTAL AFTERTREATMENT SYSTEM ASSEMBLY WITH RH HORIZONTAL TAILPIPE EXITING FORWARD OF REAR TIRES

TABLE SUMMARY - DIMENSIONS

Dimensions	Inches
Bumper to Back of Cab (BBC)	108.3
Bumper to Centerline of Front Axle (BA)	40.7
Min. Cab to Body Clearance (CB)	3.0
Back of Cab to Centerline of Rear Axle(s) (CA)	180.4
Effective Back of Cab to Centerline of Rear Axle(s) (Effective CA)	157.4
Back of Cab Protrusions (Exhaust/Intake) (CP)	0.0
Back of Cab Protrusions (Side Extenders/Trim Tab) (CP)	0.0
Back of Cab Protrusions (CNG Tank)	0.0
Back of Cab Clearance (CL)	3.0
Back of Cab to End of Frame	205.4
Cab Height (CH)	67.4
Wheelbase (WB)	226.0
Frame Overhang (OH)	105.0
Overall Length (OAL)	371.7
Rear Axle Spacing	56.0
Unladen Frame Height at Centerline of Rear Axle	43.9

Performance calculations are estimates only. If performance calculations are critical, please contact Customer Application Engineering.

TURNING RADIUS



Turning radius graphic and data provided for general estimate purposes only. For specific figures regarding your configuration, please contact your CAE representative.

	Left Turn	Right Turn	Tolerance
Wall to Wall Diameter (ft)	65.7	57.2	+/- 3.0
Curb to Curb Diameter (ft)	64.1	55.4	+/- 3.0
Turning Radius (ft)	31.6	27.2	+/- 1.5

VEHICLE SPECIFICATIONS SUMMARY - TURNING RADIUS

Model	M2106
Cab Size (829).....	106 INCH BBC FLAT ROOF ALUMINUM CONVENTIONAL CAB
Wheelbase (545)	5750MM (226 INCH) WHEELBASE
Front Tires (093).....	MICHELIN X WORKS Z 12R22.5 16 PLY RADIAL FRONT TIRES
Width (in)	11.4
Front Axle (400).....	DETROIT DA-F-14.7-3 14,700# FF1 71.5 KPI/3.74 DROP SINGLE FRONT AXLE
Kingpin Intersection (in)	71.5
Bumper (556)	THREE-PIECE 14 INCH CHROME STEEL BUMPER WITH COLLAPSIBLE ENDS AND LH WING CUTOUT FOR FEDERAL MS100/ES100/ES100C SPEAKER
Width (in)	92.5
Bumper Miter to Front Axle (in)	21.458
Primary Steering Location (003)	LH PRIMARY STEERING LOCATION
Steering Gear (536).....	TRW TAS-85 POWER STEERING
Dual Steering Gear	NONE
Ram	NONE
Rear Axle (420)	MT-44-14X 44,000# R-SERIES TANDEM REAR AXLE
Axle Spacing (624)56 INCH AXLE SPACING

Performance calculations are estimates only. If performance calculations are critical, please contact Customer Application Engineering.