



Gray-Daniels Ford Lincoln
201 Octavia Drive, Brandon, Mississippi,
39042
Office: 601-825-2801
Fax: 601-591-2649

Customer Proposal

Prepared For:

Brett Jensen
Midwest Fire Equipment & Repair
901 Commerce Road, Luverne, MN
Zip Code: 56156
Office: 507-283-9141
Email: brett@midwestfire.com
FIN: BA563

Prepared By:

James Cantrell
Office: 601-573-8538
Email: jcantrell@graydaniels.com

Date: 04/17/2015

Vehicle: 2016 F-550 Chassis XL
4x4 SD Crew Cab 200" WB DRW





Selected Options

Description

Base Vehicle Price (W5H)

Order Code 660A

Includes:

- Engine: 6.8L 3-Valve SOHC EFI NA V10
- Transmission: TorqShift 5-Speed Automatic
- Wheels: 19.5" Argent Painted Steel
Hub covers/center ornaments not included.
- HD Vinyl 40/20/40 Split Bench Seat
Includes driver side manual lumbar, center armrest, cupholder and storage.
- Radio: AM/FM Stereo w/Digital Clock
Includes 2 speakers.

Engine: 6.8L 3-Valve SOHC EFI NA V10

Transmission: TorqShift 5-Speed Automatic

Limited Slip w/4.88 Axle Ratio

GVWR: 19,500 lb Payload Plus Upgrade Package

Includes upgraded frame, rear-axle and springs and low deflection/high capacity. Increases max RGAWR to 14, 706. NOTE: See Order Guide Supplemental Reference for further details on GVWR.

Tires: 225/70Rx19.5G BSW Traction

Includes 4 traction tires on the rear and 2 all-season tires on the front. Optional spare is 225/70Rx19.5G BSW all-season.

Wheels: 19.5" Argent Painted Steel

Hub covers/center ornaments not included.

HD Vinyl 40/20/40 Split Bench Seat

Includes driver side manual lumbar, center armrest, cupholder and storage.

Monotone Paint Application

200" Wheelbase

Engine Block Heater

6" Angular Black Molded-in-Color Running Boards

Center High-Mounted Stop Lamp (CHMSL)

Radio: AM/FM Stereo w/Digital Clock

Includes 2 speakers.

Steering Wheel-Mounted Cruise Control (LPO)

Prices and content availability as shown are subject to change and should be treated as estimates only. Actual base vehicle, package and option pricing may vary from this estimate because of special local pricing, availability or pricing adjustments not reflected in the dealer's computer system. See salesperson for the most current information. | Prices and content availability as shown are subject to change and should be treated as estimates only. Actual base vehicle, package and option pricing may vary from this estimate because of special local pricing, availability or pricing adjustments not reflected in the dealer's computer system. See salesperson for the most current information.



Selected Options (cont'd)

Description

Steel

Race Red

Prices and content availability as shown are subject to change and should be treated as estimates only. Actual base vehicle, package and option pricing may vary from this estimate because of special local pricing, availability or pricing adjustments not reflected in the dealer's computer system. See salesperson for the most current information. | Prices and content availability as shown are subject to change and should be treated as estimates only. Actual base vehicle, package and option pricing may vary from this estimate because of special local pricing, availability or pricing adjustments not reflected in the dealer's computer system. See salesperson for the most current information.



Selected Equipment & Specs

Dimensions

- * Exterior length: 285.9"
- * Exterior height: 80.8"
- * Front track: 74.8"
- * Turning radius: 28.9"
- * Front legroom: 41.1"
- * Front headroom: 40.7"
- * Front hiproom: 67.6"
- * Front shoulder room: 68.0"
- * Passenger volume: 133.5cu.ft.
- * Exterior width: 93.9"
- * Wheelbase: 200.0"
- * Rear track: 74.0"
- * Min ground clearance: 8.4"
- * Rear legroom: 42.1"
- * Rear headroom: 40.8"
- * Rear hiproom: 67.6"
- * Rear shoulder room: 68.0"

Powertrain

- * 362hp 6.8L SOHC 30 valve V-10 engine with SMPI
- * federal
- * Part-time
- * Fuel Economy Cty: N/A
- * Recommended fuel : regular unleaded
- * TorqShift 5 speed automatic transmission with overdrive
- * Limited slip differential
- * Fuel Economy Highway: N/A

Suspension/Handling

- * Front Mono-beam non-independent suspension with anti-roll bar, HD shocks
- * Firm ride Suspension
- * Front and rear 19.5 x 6 argent steel wheels
- * Dual rear wheels
- * Rear DANA 130 rigid axle leaf spring suspension with anti-roll bar, HD shocks
- * Hydraulic power-assist re-circulating ball Steering
- * LT225/70SR19.5 GBSW AS front and rear tires

Body Exterior

- * 4 doors
- * Conventional right rear passenger
- * Black door mirrors
- * Side steps
- * Clearcoat paint
- * Conventional left rear passenger
- * Driver and passenger folding door mirrors
- * Black bumpers
- * Trailer harness
- * Front and rear 19.5 x 6 wheels

Convenience

- * Manual air conditioning
- * Manual windows
- * Manual tilt steering wheel
- * Cruise control with steering wheel controls
- * Manual door locks
- * Manual telescopic steering wheel

Prices and content availability as shown are subject to change and should be treated as estimates only. Actual base vehicle, package and option pricing may vary from this estimate because of special local pricing, availability or pricing adjustments not reflected in the dealer's computer system. See salesperson for the most current information. | Prices and content availability as shown are subject to change and should be treated as estimates only. Actual base vehicle, package and option pricing may vary from this estimate because of special local pricing, availability or pricing adjustments not reflected in the dealer's computer system. See salesperson for the most current information.



Selected Equipment & Specs (cont'd)

- * Day-night rearview mirror
- * Passenger visor mirror
- * Front cupholders
- * Full overhead console

Seats and Trim

- * Seating capacity of 6
- * 4-way driver seat adjustment
- * 4-way passenger seat adjustment
- * 60-40 folding rear split-bench seat
- * Front 40-20-40 split-bench seat
- * Manual driver lumbar support
- * Centre front armrest with storage

Entertainment Features

- * AM/FM stereo radio
- * Fixed antenna
- * 4 speakers

Lighting, Visibility and Instrumentation

- * Halogen aero-composite headlights
- * Light tinted windows
- * Tachometer
- * Outside temperature display
- * Variable intermittent front windshield wipers
- * Front and rear reading lights
- * Oil pressure gauge
- * Trip odometer

Safety and Security

- * 4-wheel ABS brakes
- * Driveline traction control
- * Dual seat mounted side impact airbag supplemental restraint system
- * Manual door locks
- * 3 manually adjustable rear head restraints
- * 4-wheel disc brakes
- * Dual front impact airbag supplemental restraint system
- * Curtain 1st and 2nd row overhead airbag supplemental restraint system
- * Manually adjustable front head restraints

Warranty

- * Basic warranty: 36 months/36000 miles
- * Corrosion perforation warranty: 60 months/unlimited miles
- * Powertrain warranty: 60 months/60000 miles
- * Roadside assistance warranty: 60 months/60000 miles

Dimensions

General Weights

Curb	7788 lbs.	GVWR	19500 lbs.
Front GAWR	6000 lbs.	Rear GAWR	14706 lbs.
Payload	11691 lbs.	Front curb weight	4433 lbs.

Prices and content availability as shown are subject to change and should be treated as estimates only. Actual base vehicle, package and option pricing may vary from this estimate because of special local pricing, availability or pricing adjustments not reflected in the dealer's computer system. See salesperson for the most current information. | Prices and content availability as shown are subject to change and should be treated as estimates only. Actual base vehicle, package and option pricing may vary from this estimate because of special local pricing, availability or pricing adjustments not reflected in the dealer's computer system. See salesperson for the most current information.



Selected Equipment & Specs (cont'd)

Rear curb weight	3355 lbs.	Front axle capacity	7000 lbs.
Rear axle capacity	14706 lbs.	Front spring rating	6000 lbs.
Rear spring rating	15000 lbs.	Front tire/wheel capacity	7500 lbs.
Rear tire/wheel capacity	15000 lbs.		

Trailer Type

Harness

Yes

General Trailering

5th-wheel towing capacity	17100 lbs.	Towing capacity	16000 lbs.
GCWR	26000 lbs.		

Fuel Tank type

Capacity

40 gal.

Off Road

Min ground clearance

8 "

Rear Frame

Height loaded	28 "	Height unloaded	33 "
---------------------	------	-----------------------	------

Powertrain

Engine Type

Block material	Iron	Cylinders	V-10
Head material	Aluminum	Ignition	Electronic
Injection	Sequential MPI	Liters	6.8L
Orientation	Longitudinal	Recommended fuel	Regular unleaded
Valves per cylinder	3	Valvetrain	SOHC

Engine Spec

Bore	3.55"	Compression ratio	9.2:1
Displacement	415 cu.in.	Stroke	4.16"

Engine Power

Output	362 HP @ 4,750 RPM	Torque	457 ft.-lb @ 3,250 RPM
--------------	--------------------	--------------	------------------------

Alternator

Amps

175

Battery

Amp hours	78	Cold cranking amps	750
-----------------	----	--------------------------	-----

Prices and content availability as shown are subject to change and should be treated as estimates only. Actual base vehicle, package and option pricing may vary from this estimate because of special local pricing, availability or pricing adjustments not reflected in the dealer's computer system. See salesperson for the most current information. | Prices and content availability as shown are subject to change and should be treated as estimates only. Actual base vehicle, package and option pricing may vary from this estimate because of special local pricing, availability or pricing adjustments not reflected in the dealer's computer system. See salesperson for the most current information.



Selected Equipment & Specs (cont'd)

Run down protection Yes Type HD

Engine Extras

Block heater Yes

Transmission

Electronic control Yes Lock-up Yes

Overdrive Yes Speed 5

Type Automatic

Transmission Gear Ratios

1st 3.11 2nd 2.2

3rd 1.55 4th 1

5th 0.71 Reverse Gear ratios 2.88

Transmission Torque Converter

Stall ratio 1.86

Transmission Extras

Driver selectable mode Yes Oil cooler Regular

Drive Type

4wd type Part-time Type Four-wheel

Drive Feature

Limited slip differential Mechanical Traction control Driveline

Locking hub control Manual Transfer case shift Manual

Drive Axle

Ratio 4.88

Exhaust

Material Stainless steel System type Single

Emissions

CARB Federal EPA Tier 2 Bin 8

fuel Economy

Fuel type Gasoline

Driveability

Brakes

Prices and content availability as shown are subject to change and should be treated as estimates only. Actual base vehicle, package and option pricing may vary from this estimate because of special local pricing, availability or pricing adjustments not reflected in the dealer's computer system. See salesperson for the most current information. | Prices and content availability as shown are subject to change and should be treated as estimates only. Actual base vehicle, package and option pricing may vary from this estimate because of special local pricing, availability or pricing adjustments not reflected in the dealer's computer system. See salesperson for the most current information.



Selected Equipment & Specs (cont'd)

ABS 4-wheel
 Type 4-wheel disc
 ABS channels 3
 Vented discs Front and rear

Suspension Control

Ride Firm

Front Suspension

Independence Mono-beam non-independent
 Anti-roll bar Regular

Front Spring

Type Coil
 Grade Regular

Front Shocks

Type HD

Rear Suspension

Independence DANA 130 rigid axle
 Anti-roll bar Regular
 Type Leaf

Rear Spring

Type Leaf
 Grade HD

Rear Shocks

Type HD

Steering

Activation Hydraulic power-assist
 Type Re-circulating ball

Steering Specs

of wheels 2

Exterior

Front Wheels

Diameter 19.5" Width 6.00"

Rear Wheels

Diameter 19.5" Width 6.00"
 Dual Yes

Front and Rear Wheels

Appearance Argent Material Steel

Front Tires

Prices and content availability as shown are subject to change and should be treated as estimates only. Actual base vehicle, package and option pricing may vary from this estimate because of special local pricing, availability or pricing adjustments not reflected in the dealer's computer system. See salesperson for the most current information. | Prices and content availability as shown are subject to change and should be treated as estimates only. Actual base vehicle, package and option pricing may vary from this estimate because of special local pricing, availability or pricing adjustments not reflected in the dealer's computer system. See salesperson for the most current information.



Selected Equipment & Specs (cont'd)

Aspect	70	Diameter	19.5"
Sidewalls	BSW	Speed	S
Tread	AS	Type	LT
Width	225mm	LT load rating	G
RPM	645		

Rear Tires

Aspect	70	Diameter	19.5"
Sidewalls	BSW	Speed	S
Tread	AT	Type	LT
Width	225mm	LT load rating	G
RPM	645		

Wheels

Front track	74.8"	Rear track	74.0"
Turning radius	28.9'	Wheelbase	200.0"

Body Features

Front license plate bracket	Yes	Body material	Fully galvanized steel
Side impact beams	Yes	Side steps	Yes

Body Doors

Door count	4	Left rear passenger	Conventional
Right rear passenger	Conventional		

Exterior Dimensions

Length	285.9"	Body width	93.9"
Body height	80.8"	Cab to axle	84.0"
Axle to end of frame	47.6"	Frame section modulus	17.2cu.in.
Frame yield strength (psi)	36000.0	Front bumper to Front axle	38.1"
Cab to end of frame	131.6"	Front bumper to back of cab	154.3"

Safety

Airbags

Driver front-impact	Yes	Driver side-impact	Seat mounted
Overhead	Curtain 1st and 2nd row	Passenger front-impact	Yes
Passenger side-impact	Seat mounted		

Seatbelt

Prices and content availability as shown are subject to change and should be treated as estimates only. Actual base vehicle, package and option pricing may vary from this estimate because of special local pricing, availability or pricing adjustments not reflected in the dealer's computer system. See salesperson for the most current information. | Prices and content availability as shown are subject to change and should be treated as estimates only. Actual base vehicle, package and option pricing may vary from this estimate because of special local pricing, availability or pricing adjustments not reflected in the dealer's computer system. See salesperson for the most current information.



Selected Equipment & Specs (cont'd)

Height adjustable Front

Seating

Passenger Capacity

Capacity 6

Front Seats

Split 40-20-40 Type Split-bench

Driver Seat

Fore/aft Manual Reclining Manual

Way direction control 4 Lumbar support Manual

Passenger seat

Fore/aft Manual Reclining Manual

Way direction control 4

Front Head Restraint

Control Manual Type Adjustable

Front Armrest

Centre Yes Storage Yes

Rear Seats

Descriptor Split-bench Facing Front

Folding 60-40 Folding position FlexFoldflip forward
 cushion/seatback

Type Fixed

Rear Head Restraints

Control Manual Type Adjustable

Number 3

Front Seat Trim

Material Vinyl Back material Vinyl

Rear Seat Trim Group

Material Vinyl Back material Carpet

Convenience

AC And Heat Type

Prices and content availability as shown are subject to change and should be treated as estimates only. Actual base vehicle, package and option pricing may vary from this estimate because of special local pricing, availability or pricing adjustments not reflected in the dealer's computer system. See salesperson for the most current information. | Prices and content availability as shown are subject to change and should be treated as estimates only. Actual base vehicle, package and option pricing may vary from this estimate because of special local pricing, availability or pricing adjustments not reflected in the dealer's computer system. See salesperson for the most current information.



Selected Equipment & Specs (cont'd)

Air conditioning Manual Underseat ducts Yes

Audio System

Radio AM/FM stereo Radio grade Regular
 Seek-scan Yes

Audio Speakers

Speaker type Regular Speakers 4

Audio Antenna

Type Fixed

Cruise Control

Cruise control With steering wheel controls

Convenience Features

12V DC power outlet 2

Door Lock Activation

Type Manual

Instrumentation Type

Display Analog

Instrumentation Gauges

Tachometer Yes	Oil pressure Yes
Engine temperature Yes	Transmission fluid temp Yes
Engine hour meter Yes	

Instrumentation Warnings

Oil pressure Yes	Engine temperature Yes
Battery Yes	Lights on Yes
Key Yes	Low fuel Yes
Door ajar Yes	Service interval Yes
Brake fluid Yes	

Instrumentation Displays

Clock In-radio display Exterior temp Yes
 Systems monitor Yes

Instrumentation Feature

PRND in IP Yes Trip odometer Yes

Prices and content availability as shown are subject to change and should be treated as estimates only. Actual base vehicle, package and option pricing may vary from this estimate because of special local pricing, availability or pricing adjustments not reflected in the dealer's computer system. See salesperson for the most current information. | Prices and content availability as shown are subject to change and should be treated as estimates only. Actual base vehicle, package and option pricing may vary from this estimate because of special local pricing, availability or pricing adjustments not reflected in the dealer's computer system. See salesperson for the most current information.



Selected Equipment & Specs (cont'd)

Steering Wheel Type

Material Urethane Tilting Manual
 Telescoping Manual

Front Side Windows

Window 1st row activation Manual

Windows Rear Side

2nd row activation Manual

Window Features

Tinted Light

Front Windshield

Wiper Variable intermittent

Rear Windshield

Window Fixed

Interior

Passenger Visor

Mirror Yes

Rear View Mirror

Day-night Yes

Headliner

Coverage Full Material Cloth

Floor Trim

Coverage Full Covering Vinyl/rubber

Trim Feature

Gear shift knob Urethane Interior accents Chrome

Lighting

Dome light type Fade Front reading Yes
 Rear reading Yes Variable IP lighting Yes

Overhead Console Storage

Storage Yes Type Full

Storage

Prices and content availability as shown are subject to change and should be treated as estimates only. Actual base vehicle, package and option pricing may vary from this estimate because of special local pricing, availability or pricing adjustments not reflected in the dealer's computer system. See salesperson for the most current information. | Prices and content availability as shown are subject to change and should be treated as estimates only. Actual base vehicle, package and option pricing may vary from this estimate because of special local pricing, availability or pricing adjustments not reflected in the dealer's computer system. See salesperson for the most current information.



Selected Equipment & Specs (cont'd)

Front Beverage holder(s)	Yes	Glove box	Yes
Instrument panel	Bin	Dashboard	Yes

Legroom

Front	41.1"	Rear	42.1"
-------------	-------	------------	-------

Headroom

Front	40.7"	Rear	40.8"
-------------	-------	------------	-------

Hip Room

Front	67.6"	Rear	67.6"
-------------	-------	------------	-------

Shoulder Room

Front	68.0"	Rear	68.0"
-------------	-------	------------	-------

Interior Volume

Passenger volume	133.5 cu.ft.
------------------------	--------------

Warranty

Basic

Distance	36000 miles	Months	36 months
----------------	-------------	--------------	-----------

Powertrain

Distance	60000 miles	Months	60 months
----------------	-------------	--------------	-----------

Corrosion Perforation

Distance	Unlimited miles	Months	60 months
----------------	-----------------	--------------	-----------

Roadside Assistance

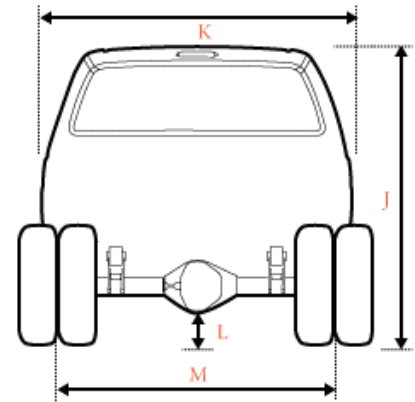
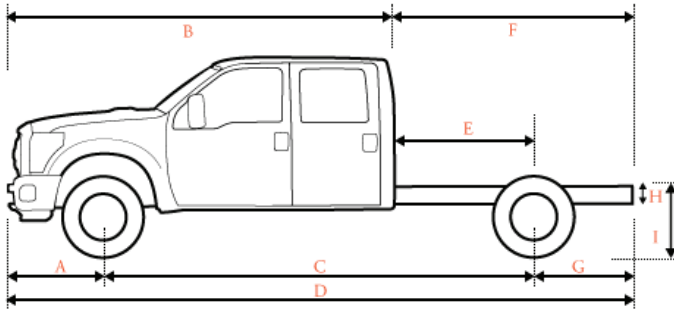
Distance	60000 miles	Months	60 months
----------------	-------------	--------------	-----------

Prices and content availability as shown are subject to change and should be treated as estimates only. Actual base vehicle, package and option pricing may vary from this estimate because of special local pricing, availability or pricing adjustments not reflected in the dealer's computer system. See salesperson for the most current information. | Prices and content availability as shown are subject to change and should be treated as estimates only. Actual base vehicle, package and option pricing may vary from this estimate because of special local pricing, availability or pricing adjustments not reflected in the dealer's computer system. See salesperson for the most current information.



Performance

Performance predictions in this report represent an estimate of vehicle performance based on standard operating conditions. Variations in customer equipment, load configuration, ambient conditions, and/or operator driving techniques can cause significant variations in vehicle performance. These values are not representative of results that may be shown in actual dynamometer tests. This report should therefore be used as a guide for comparative vehicle performance.



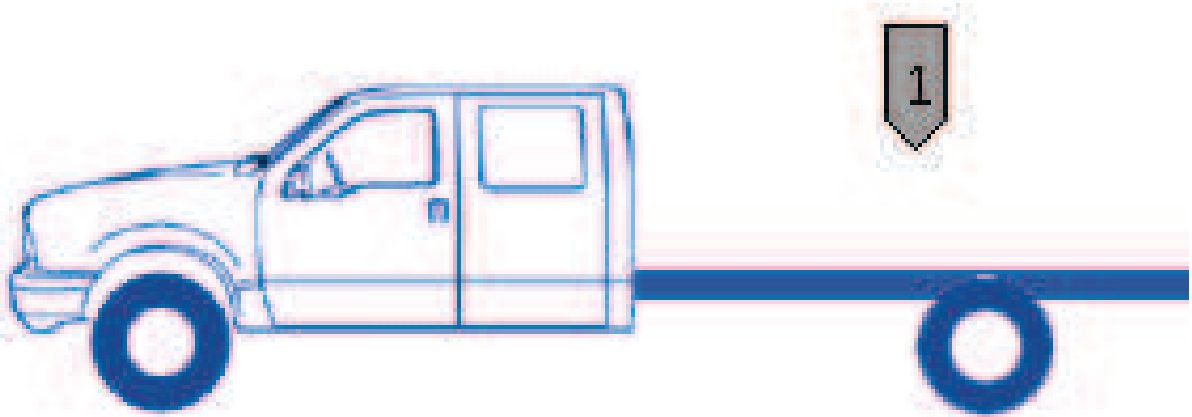
Dimensions

A	Front of Bumper to Front Axle	38.10 in.
B	Front Bumper to Back of Cab (BBC)	154.30 in.
C	Wheelbase (WB)	200.00 in.
D	Overall Length (OAL)	285.90 in.
E	Back of Cab to Rear Axle (CA)	84.00 in.
F	Back of Cab to End of Frame	131.60 in.
G	Rear Axle to End of Frame (AF)	47.60 in.
H	Frame Section Height	N/A
I	Rear Frame Height Unloaded	33.20 in.
I	Rear Frame Height Loaded	28.00 in.
J	Cab Height	80.80 in.
K	Body Width	93.90 in.
L	Maximum Ground Clearance	N/A
L	Minimum Ground Clearance	8.40 in.
M	Front Tread	74.80 in.
M	Rear Tread	74.00 in.

Prices and content availability as shown are subject to change and should be treated as estimates only. Actual base vehicle, package and option pricing may vary from this estimate because of special local pricing, availability or pricing adjustments not reflected in the dealer's computer system. See salesperson for the most current information. | Prices and content availability as shown are subject to change and should be treated as estimates only. Actual base vehicle, package and option pricing may vary from this estimate because of special local pricing, availability or pricing adjustments not reflected in the dealer's computer system. See salesperson for the most current information.



Performance (cont'd)



Weight

GVW	Front Axle	Rear Axle	Totals
Chassis	4,433 lbs	3,355 lbs	7,788 lbs
Body	0 lbs	0 lbs	0 lbs
Occupant	600 lbs	300 lbs	900 lbs
1 Max Payload	967 lbs	9,845 lbs	10,812 lbs
TOTAL	6,000 lbs	13,500 lbs	19,500 lbs

Ratings	Front Axle	Rear Axle	GVWR
GAWR	6,000 lbs	14,706 lbs	19,500 lbs
Wheels/Tires	7,500 lbs	15,000 lbs	
Suspension	6,000 lbs	15,000 lbs	
Axle	7,000 lbs	14,706 lbs	
Legal Axle Limit	0 lbs	0 lbs	

GCW	Totals
Adjusted GVW	19,500 lbs
Weight of trailer:	0 lbs
Weight of trailer cargo:	0 lbs
TOTAL	19,500 lbs

Prices and content availability as shown are subject to change and should be treated as estimates only. Actual base vehicle, package and option pricing may vary from this estimate because of special local pricing, availability or pricing adjustments not reflected in the dealer's computer system. See salesperson for the most current information. | Prices and content availability as shown are subject to change and should be treated as estimates only. Actual base vehicle, package and option pricing may vary from this estimate because of special local pricing, availability or pricing adjustments not reflected in the dealer's computer system. See salesperson for the most current information.



Performance (cont'd)

Start, Grade and Speed

Start	Ratio	Desired	Calculated
Start grade capability in 1st gear	3.11	15.00 %	19.90 %
Start grade capability in reverse	2.88	15.00 %	18.42 %
Grade	Ratio	Desired	Calculated
Maximum grade in 3th gear	1.55	3.00 %	10.69 %
Maximum grade in 4th gear	1.00	3.00 %	6.89 %
Maximum grade in 5th gear	0.71	3.00 %	4.89 %
Speed		Desired	Calculated
Top Speed (level grade)		75 mph	87 mph
<i>To meet your requirement you need a maximum axle ratio of 9.96</i>			
Top Speed on 3.0% grade		55 mph	
<i>To meet your requirement you need a maximum of 128 hp</i>			
Cruise Speed		60 mph	70 mph
Engine RPM at desired cruise speed		2235 rpm	

Variables in Use

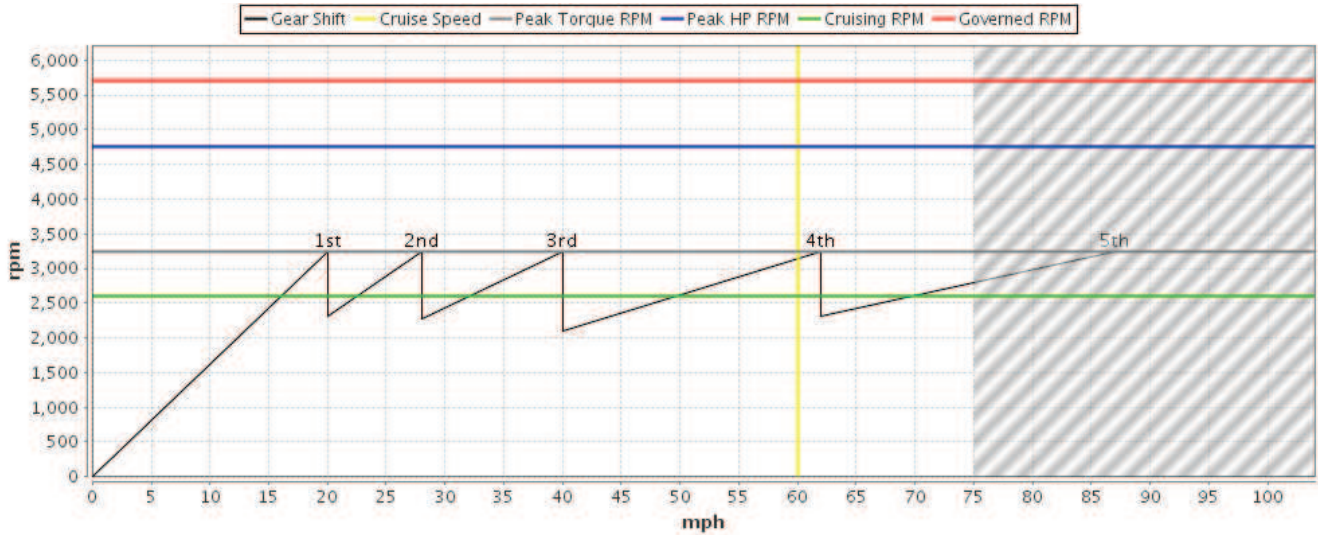
Rear axle ratio:	4.88/4.88	Governed RPM:	3,250 rpm
Tire size:	225/70R19.5 (645 rev/mile)	Frontal Area:	46.82 Sq.Ft.
Gross Vehicle Weight (GVW):	19,500 lbs	Cruising RPM:	2,600 rpm
Clutch engagement torque:	228 ft.lbs.	Worst road surface:	Typical Highway
Torque conversion ratio:	1.86	Final Drive Ratio:	0.71
Peak engine torque:	457 ft.lbs.	Drag Coefficient:	0.80
Engine Power:	362 hp @ 4,750 rpm		

Prices and content availability as shown are subject to change and should be treated as estimates only. Actual base vehicle, package and option pricing may vary from this estimate because of special local pricing, availability or pricing adjustments not reflected in the dealer's computer system. See salesperson for the most current information. | Prices and content availability as shown are subject to change and should be treated as estimates only. Actual base vehicle, package and option pricing may vary from this estimate because of special local pricing, availability or pricing adjustments not reflected in the dealer's computer system. See salesperson for the most current information.



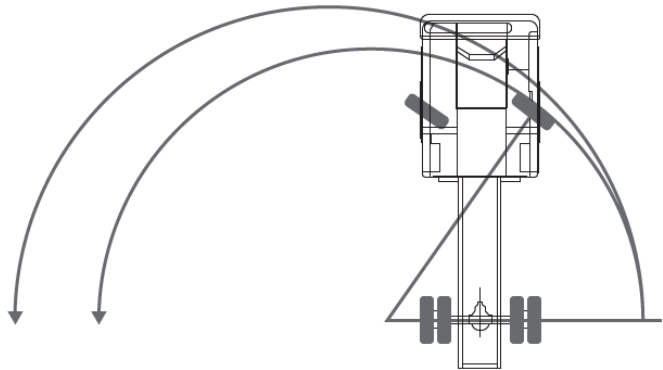
Performance (cont'd)

Shift Chart



Turning Radius

Turning Radius 28.90



Prices and content availability as shown are subject to change and should be treated as estimates only. Actual base vehicle, package and option pricing may vary from this estimate because of special local pricing, availability or pricing adjustments not reflected in the dealer's computer system. See salesperson for the most current information. | Prices and content availability as shown are subject to change and should be treated as estimates only. Actual base vehicle, package and option pricing may vary from this estimate because of special local pricing, availability or pricing adjustments not reflected in the dealer's computer system. See salesperson for the most current information.